

**MULTIFUNCTIONAL DIGITAL COLOR SYSTEMS /
MULTIFUNCTIONAL DIGITAL SYSTEMS**

Specifications Guide

e-STUDIO2000AC/2500AC

e-STUDIO2505AC/3005AC/3505AC/4505AC/5005AC

e-STUDIO2008A/2508A/3008A/3508A/4508A/5008A

e-STUDIO5506AC/6506AC/7506AC

e-STUDIO5508A/6508A/7508A/8508A

e-STUDIO3508LP/4508LP/5008LP

Preface

Thank you for purchasing TOSHIBA Multifunctional Digital Systems or Multifunctional Digital Color Systems. This manual describes about the specifications of this equipment and the information of the options. Read this manual before using this equipment. Some models provide the scanning/printing function as an option.

When printing is performed by using the erasable blue toner of the e-STUDIO5008LP Series, only the standard-size plain paper and the recycled paper (64 - 80 g/m², 17 - 20 lb. Bond) can be used in order to reuse paper efficiently. In addition, the finishing functions such as stapling, punching or center folding cannot be accomplished.

■ How to read this manual

□ Symbols in this manual


In this manual, some important items are described with the symbols shown below. Be sure to read these items before using this equipment.

⚠ WARNING Indicates a potentially hazardous situation which, if not avoided, could result in death, serious injury, or serious damage, or fire in the equipment or surrounding assets.

⚠ CAUTION Indicates a potentially hazardous situation which, if not avoided, may result in minor or moderate injury, partial damage to the equipment or surrounding assets, or loss of data.

Note Indicates information to which you should pay attention when operating the equipment.

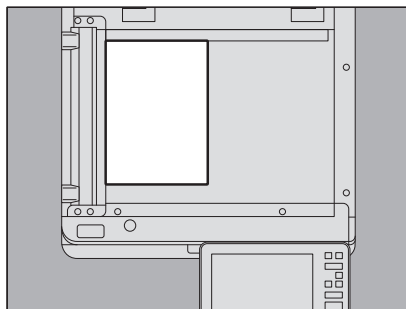
Tip Describes handy information that is useful to know when operating the equipment.

 Pages describing items related to what you are currently doing. See these pages as required.

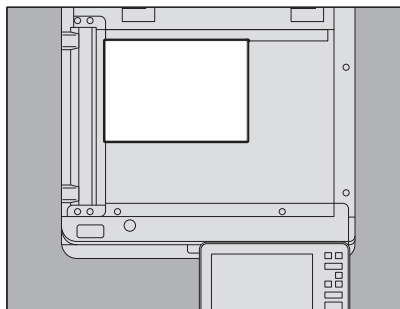
□ Description of original/paper direction

Paper or originals of A4, B5 or LT size can be placed either in a portrait direction or in a landscape direction. In this manual, “-R” is added to this paper size when this size of paper or original is placed in a landscape direction.

e.g.) A4 size original on the original glass



Placed in a portrait direction: A4



Placed in a landscape direction: A4-R

Paper or originals of A3, B4, LD or LG can only be placed in a landscape direction, therefore “-R” is not added to these sizes.

□ Target audience for this manual

This is a manual that is aimed at general users and administrators.

❑ Model and series names in this manual

In this manual, each model name is replaced with a series name as shown below:

Model name	Series name
e-STUDIO2000AC/2500AC	e-STUDIO5005AC Series
e-STUDIO2505AC/3005AC/3505AC/4505AC/5005AC	
e-STUDIO2008A/2508A/3008A/3508A/4508A/5008A	e-STUDIO5008A Series
e-STUDIO5506AC/6506AC/7506AC	e-STUDIO7506AC Series
e-STUDIO5508A/6508A/7508A/8508A	e-STUDIO8508A Series
e-STUDIO3508LP/4508LP/5008LP	e-STUDIO5008LP Series

❑ Abbreviations in this manual

In this manual, “Dual Scan Document Feeder” is referred to as “DSDF” and “Reversing Automatic Document Feeder” as “RADF”.

❑ Trademarks

For trademarks, refer to the ***Safety Information***.

CONTENTS

Preface	3
How to read this manual	3

Chapter 1 SPECIFICATIONS OF PAPER

Acceptable copy paper	8
e-STUDIO2000AC/2500AC.....	8
e-STUDIO2505AC/3005AC/3505AC/4505AC/5005AC	11
e-STUDIO2008A/2508A/3008A/3508A/4508A/5008A	15
e-STUDIO3508LP/4508LP/5008LP.....	18
e-STUDIO5506AC/6506AC/7506AC.....	22
e-STUDIO5508A/6508A/7508A/8508A	25

Chapter 2 SPECIFICATIONS OF EQUIPMENT

e-STUDIO2000AC/2500AC	30
Continuous copy speed	32
e-STUDIO2505AC/3005AC/3505AC/4505AC/5005AC	33
Continuous copy speed	35
e-STUDIO2008A/2508A/3008A/3508A/4508A/5008A	40
Continuous copy speed	41
e-STUDIO3508LP/4508LP/5008LP	45
Continuous copy speed	47
e-STUDIO5506AC/6506AC/7506AC	49
Continuous copy speed	51
e-STUDIO5508A/6508A/7508A/8508A	54
Continuous copy speed	56
List of Internal Fonts	58
Internal PCL fonts list.....	58
Internal PS fonts list.....	59
Template	62

Chapter 3 SPECIFICATIONS OF OPTIONS

Outlines of Options	64
Option.....	64
Finishing modes and optional finishing devices	67
Document feed	70
Reversing Automatic Document Feeder.....	70
Dual Scan Document Feeder.....	70
Paper feed	71
Paper Feed Pedestal and Additional Drawer Module	71
Paper Feed Unit	71
Envelope Drawer.....	72
Large Capacity Feeder	72
External Large Capacity Feeder	72
Exit Options	73
Job Separator	73
Bridge Unit	73
Finisher (for e-STUDIO5005AC Series/e-STUDIO5008A Series/e-STUDIO5008LP Series).....	74
Finisher (for e-STUDIO7506AC Series and e-STUDIO8508A Series)	76
Saddle Stitch Finisher (for e-STUDIO5005AC Series/e-STUDIO5008A Series/e-STUDIO5008LP Series)	79

Saddle Stitch Finisher (for e-STUDIO7506AC Series and e-STUDIO8508A Series).....	82
Inner Finisher (for e-STUDIO5005AC Series/e-STUDIO5008A Series/e-STUDIO5008LP Series).....	85
Hole Punch Unit MJ-6011 Series (for e-STUDIO5005AC Series / e-STUDIO5008A Series / e-STUDIO5008LP Series).....	87
Hole Punch Unit MJ-6105 Series (for e-STUDIO5005AC Series / e-STUDIO5008A Series / e-STUDIO5008LP Series).....	88
Hole Punch Unit MJ-6106 Series (for e-STUDIO7506AC Series and e-STUDIO8508A Series)	89
System Options	90
FAX Unit	90
Wireless LAN and Bluetooth units.....	91
INDEX	93

SPECIFICATIONS OF PAPER

Acceptable copy paper	8
e-STUDIO2000AC/2500AC.....	8
e-STUDIO2505AC/3005AC/3505AC/4505AC/5005AC	11
e-STUDIO2008A/2508A/3008A/3508A/4508A/5008A.....	15
e-STUDIO3508LP/4508LP/5008LP.....	18
e-STUDIO5506AC/6506AC/7506AC.....	22
e-STUDIO5508A/6508A/7508A/8508A	25

Acceptable copy paper

The following paper can be placed and used for copying.

The values are valid only when Toshiba-recommended paper is used.

Depending on the paper type or condition, the expected print quality sometimes cannot be obtained or the output paper may not be aligned properly.

Tip

- “LT format” is the standard size only for use in North America.
- “K format” is a Chinese standard size.
- Abbreviations for paper sizes: LT: Letter, LD: Ledger, LG: Legal, ST: Statement, COMP: Computer, SQ: Square

■ e-STUDIO2000AC/2500AC

Feeder	Media Type	Weight	Maximum sheet capacity	Size
Drawer	Plain, Recycled Paper	60 - 80 g/m ² 16 - 20 lb. Bond	277 sheets (64 g/m ²) (17 lb. Bond) 250 sheets (80 g/m ²) (20 lb. Bond)	A/B format: A3, A4, A4-R, A5-R, B4, B5, B5-R, FOLIO LT format: LD, LG, LT, LT-R, ST-R, COMP, 13"LG, 8.5"SQ K format: 8K, 16K, 16K-R Non-standard size*1: Length: 140 - 297 mm (5.5" - 11.7"), Width: 210 - 432 mm (8.3" - 17")
	Thick	81 - 105 g/m ² 21 - 28 lb. Bond	231 sheets	
	Thick 1	106 - 163 g/m ² 29 lb. Bond - 90 lb Index	69 sheets	
Paper Feed Unit Paper Feed Pedestal Additional Drawer Module	Plain, Recycled Paper	64 - 80 g/m ² 17 - 20 lb. Bond	600 sheets (64 g/m ²) (17 lb. Bond) 550 sheets (80 g/m ²) (20 lb. Bond)	
	Thick	81 - 105 g/m ² 21 - 28 lb. Bond	500 sheets	
	Thick 1	106 - 163 g/m ² 29 lb. Bond - 90 lb Index	300 sheets	
Large Capacity Feeder	Plain, Recycled Paper	64 - 80 g/m ² 17 - 20 lb. Bond	2360 sheets (64 g/m ²) (17 lb. Bond) 2000 sheets (80 g/m ²) (20 lb. Bond)	A4, LT
	Thick	81 - 105 g/m ² 21 - 28 lb. Bond	1660 sheets	

Feeder	Media Type	Weight	Maximum sheet capacity	Size	
Envelope Drawer	Plain, Recycled Paper	60 - 80 g/m ² 16 - 20 lb. Bond	600 sheets (64 g/m ²) (17 lb. Bond) 550 sheets (80 g/m ²) (20 lb. Bond)	A/B format: A4-R, B5-R, A5-R LT format: LG, 13"LG, LT-R, ST-R K format: 16K-R Envelope: DL (110 mm x 220 mm), COM10 (4 1/8" x 9 1/2"), Monarch (3 7/8" x 7 1/2"), CHO-3 (120 mm x 235 mm), YOU-4 (105 mm x 235 mm), KAKU-2 (240 mm x 332 mm) Non-standard size (Envelope)*1: Length: 100 - 240 mm (3.9" - 9.4") Width: 162 - 380 mm (6.4" - 15")	
	Thick	81 - 105 g/m ² 21 - 28 lb. Bond	500 sheets		
	Thick 1	106 - 163 g/m ² 29 lb. Bond - 90 lb. Index	300 sheets		
	Envelope *2, *3, *4	—	60 sheets (50 mm in height or less)		
Bypass tray	Plain, Recycled Paper	60 - 80 g/m ² 16 - 20 lb. Bond	100 sheets	A/B format: A3, A4, A4-R, A5-R, B4, B5, B5-R, A6-R, FOLIO LT format: LD, LG, LT, LT-R, ST-R, COMP, 13"LG, 8.5"SQ K format: 8K, 16K, 16K-R Non-standard size *1: Length: 100 - 297 mm (3.9" - 11.7"), Width: 148 - 432 mm (5.8" - 17")	
	Thick	81 - 105 g/m ² 21 - 28 lb. Bond	80 sheets		
	Thick 1	106 - 163 g/m ² 29 lb. Bond - 90 lb Index	40 sheets		
	Thick 2 *4, *5	164 - 209 g/m ² 91 - 110 lb. Index	30 sheets		
	Transparency *6	—	30 sheets		
	Envelope *3, *4	—	10 envelopes (11 mm in height or less)		Envelope: DL (110 mm x 220 mm), COM10 (4 1/8" x 9 1/2"), Monarch (3 7/8" x 7 1/2"), CHO-3 (120 mm x 235 mm), YOU-4 (105 mm x 235 mm), KAKU-2 (240 mm x 332 mm) Non-standard size *1: Length: 100 - 297 mm (3.9" - 11.7"), Width: 148 - 432 mm (5.8" - 17")
	Tab Paper *4	—	—		A4, LT

*1 When paper of a non-standard size is used, set the paper size by means of [Custom Paper].

*2 When the upper receiving tray of the Saddle Stitch Finisher is used to allow envelopes to exit, be sure to remove them from the tray after 60 of them have been stacked.

*3 Printing on the back side of an envelope is not possible.

*4 Automatic duplex copying is not available.

*5 For making copies on the sticker labels, select "Thick 2" for the paper type. Only Toshiba-recommended sticker labels should be used.

*6 Only Toshiba-recommended OHP film should be used. The use of any other film may cause a malfunction.

❑ Recommended paper for each media type

Media Type	Toshiba recommendations/Manufacturer	Weight
Plain	A/B format: TGIS Paper/Mondi LT format: TIDAL MP/Hammermill	80 g/m ² , 20 lb. Bond
Thick	A/B format: Color Copy/Mondi LT format: Laser Print/Hammermill, Color Copy Paper/ Hammermill	90 g/m ² , 24 lb. Bond
		100 g/m ² , 28 lb. Bond
Thick 1	A/B format: Color Copy/Mondi LT format: Laser Print/Hammermill, Color Copy Paper/ Hammermill	120 g/m ² , 32 lb. Bond
		160 g/m ² , 60 lb. Cover
Thick 2	A/B format: Color Copy/mondi	200 g/m ²
	A/B format: 3478/Zweckform-Avery ^{*1} LT format: 5165/Avery ^{*1}	—
Transparency ^{*2, *3}	A/B format: BG72/Folex	—
Envelope ^{*4, *5}	COM10: Laser/Inkjet Business Envelope Regular/Quality Park Monarch: Mailwell No. 553/Mailwell	—

*1 Only Toshiba-recommended sticker labels should be used.

*2 Automatic duplex copying is not available.

*3 Only Toshiba-recommended OHP film should be used. The use of any other film may cause a malfunction.

*4 Printing on the back side of an envelope is not possible.

*5 Refer to “Notes for using envelopes” in the **Paper Preparation Guide**.

■ e-STUDIO2505AC/3005AC/3505AC/4505AC/5005AC

Feeder	Media Type	Weight	Maximum sheet capacity	Size
Drawers Paper Feed Pedestal Additional Drawer Module	Plain, Recycled Paper	60 - 80 g/m ² 16 - 20 lb. Bond	600 sheets (64 g/m ²) (17 lb. Bond) 550 sheets (80 g/m ²) (20 lb. Bond)	A/B format: A3, A4, A4-R, A5-R, B4, B5, B5-R, FOLIO, 305 mm x 457 mm ^{*1, *2, 9*} , 320 mm x 450 mm ^{*1, *3, *4, *5, *6, 9*} , 320 mm x 460 mm ^{*1, *3, *4, *5, *6, 9*} LT format: LD, LG, LT, LT-R, ST-R, COMP, 13"LG, 8.5"SQ, 12" x 18" ^{*1, 9*} K format: 8K, 16K, 16K-R Non-standard size ^{*7}: First drawer Length: 140 - 297 mm (5.5" - 11.7"), Width: 210 - 432 mm (8.3" - 17") Second - fourth drawer Copy: Length: 140 - 305 mm (5.5" - 12"), Width: 210 - 460 mm (8.3" - 18.1") Print: Length: 140 - 305 mm (5.5" - 12"), Width: 210 - 460 mm (8.3" - 18.1")
	Thick	81 - 105 g/m ² 21 - 28 lb. Bond	500 sheets	
	Thick 1	106 - 163 g/m ² 29 lb. Bond - 90 lb. Index	300 sheets	
	Thick 2	164 - 209 g/m ² 91 - 110 lb. Index	250 sheets	
	Thick 3	- 256 g/m ² - 140 lb. Index	200 sheets	
Large Capacity Feeder	Plain, Recycled Paper	64 - 80 g/m ² 17 - 20 lbs	2360 sheets (64 g/m ²) (17 lb. Bond) 2000 sheets (80 g/m ²) (20 lb. Bond)	A4, LT
	Thick	81 - 105 g/m ² 21 - 28 lb. Bond	1660 sheets 550 sheets (80 g/m ²) (20 lb. Bond)	
Envelope Drawer	Plain, Recycled Paper	60 - 80 g/m ² 16 - 20 lb. Bond	600 sheets(64 g/m ²) (17 lb. Bond) 550 sheets (80 g/m ²) (20 lb. Bond)	A/B format: A4-R, B5-R, A5-R LT format: LG, 13"LG, LT-R, ST-R K format: 16K-R Envelope: DL (110 mm x 220 mm), COM10 (4 1/8" x 9 1/2"), Monarch (3 7/8" x 7 1/2"), CHO-3 (120 mm x 235 mm), YOU-4 (105 mm x 235 mm), KAKU-2 (240 mm x 332 mm) Non-standard size (Envelope) ^{*7}: Length: 100 - 240 mm (3.9" - 9.4") Width: 162 - 380 mm (6.4" - 15")
	Thick	81 - 105 g/m ² 21 - 28 lb. Bond	550 sheets (80 g/m ²) (20 lb. Bond)	
	Thick 1	106 - 163 g/m ² 29 lb. Bond - 90 lb. Index	300 sheets	
	Thick 2	164 - 209 g/m ² 91 - 110 lb. Index	250 sheets	
	Thick 3	- 256 g/m ² - 140 lb. Index	200 sheets	
	Envelope ^{*8, *9, *10}	—	60 sheets (50 mm in height or less)	

Feeder	Media Type	Weight	Maximum sheet capacity	Size
Bypass tray	Thin ^{*9, *11}	52 - 59 g/m ² 14 - 16 lb. Bond	1 sheet	A/B format: A3, A4, A4-R, A5-R, A6-R, B4, B5, B5-R, FOLIO, 305 mm x 457 mm ^{*2, *12} , 320 mm x 450 mm ^{*3, *4, *5, *6} , 320 mm x 460 mm ^{*3, *4, *5, *6, *12} LT format: LD, LG, LT, LT-R, ST-R, COMP, 13"LG, 8.5"SQ, 12" x 18" ^{*12} K format: 8K, 16K, 16K-R Non-standard size ^{*7}: Copy: Length: 100 - 305 mm (3.9" - 12"), Width: 148 - 460 mm (5.8" - 18.1") Print: Length: 100 - 305 mm (3.9" - 12"), Width: 148 - 1200 mm (5.8" - 47.24")
	Plain, Recycled Paper	60 - 80 g/m ² 16 - 20 lb. Bond	100 sheets	
	Thick	81 - 105 g/m ² 21 - 28 lb. Bond	80 sheets	
	Thick 1	106 - 163 b/m ² 29 lb. Bond - 90 lb. Index	40 sheets	
	Thick 2 ^{*13}	164 - 209 g/m ² 91 - 110 lb. Index	30 sheets	
	Thick 3	- 256 g/m ² - 140 lb. Index	30 sheets	
	Thick 4 ^{*9, *14, *15}	- 280 g/m ² - 100 lb. Cover	30 sheets	
	Special 1 ^{*16} , Special 2 ^{*16, *17}	230 g/m ²	30 sheets	
	Special 3 ^{*18}	106 - 163 g/m ² 29 lb. Bond - 90 lb. Index	40 sheets	
	Transparency ^{*9, *19}	—	30 sheets	
	Envelope ^{*9, *10}	—	10 envelopes (11 mm in height or less)	Envelope: DL (110 mm x 220 mm), COM10 (4 1/8" x 9 1/2"), Monarch (3 7/8" x 7 1/2"), CHO-3 (120 mm x 235 mm), YOU-4 (105 mm x 235 mm), KAKU-2 (240 mm x 332 mm) Non-standard size ^{*7}: Copy: Length: 100 - 305 mm (3.9" - 12"), Width: 148 - 460 mm (5.8" - 18.1") Print: Length: 100 - 305 mm (3.9" - 12"), Width: 148 - 1200 mm (5.8" - 47.24")
Tab Paper ^{*9}	—	—	A4, LT	

^{*1} The second drawer or the Paper Feed Pedestal and Additional Drawer Module is used for paper placement.

^{*2} If printing is performed with paper having a width of 305 mm (12"), the images approx. 4 mm (0.16") from each side of the paper may not be printed clearly (faint image).

^{*3} When the Finisher is installed, it is not possible to have the paper exit to the receiving tray of the equipment. Paper will exit to the upper receiving tray of the Finisher or the Saddle Stitch Unit.

^{*4} Black streaks may appear on the edge of the printouts.

^{*5} If printing is performed with paper having a width of 320 mm (12.6"), the images approx. 11.5 mm (0.45") from each side of the paper may not be printed clearly (faint image).

^{*6} When the Inner Finisher is installed, automatic duplex copying is not available.

^{*7} When paper of a non-standard size is used, set the paper size by means of [Custom Paper].

^{*8} When the upper receiving tray of the Finisher or the Saddle Stitch Finisher is used to allow envelopes to exit, be sure to remove them from the tray after 60 of them have been stacked.

^{*9} Automatic duplex copying is not available.

^{*10} Printing on the back side of an envelope is not possible.

- *11 The upper receiving tray of the Finisher or the Saddle Stitch Unit are used for paper exiting.
- *12 When the Inner Finisher is installed, the paper will exit to the receiving trays of the Finisher.
- *13 When an attempt to print on the sticker labels is made, select "Thick 2" for the paper type. Only sticker labels whose label side is not cut can be used. Only one sticker label can be fed at one time. Automatic duplex copying is not available for sticker labels.
- *14 The upper receiving tray of the Finisher or the Saddle Stitch Finisher and the receiving tray of the equipment are used for paper exiting.
- *15 When duplex copying is applied to Thick 4 paper, streaks may appear on the front side of the printouts. These streaks may appear clearly when a copied image is dark or when the density level of an entire image is even.
- *16 Special 1 and Special 2 indicate waterproof paper.
- *17 Duplex copying is available only when the waterproof paper supporting it is used.
- *18 Special 3 indicates coated paper. For details, contact your service technicians or representative.
- *19 Only Toshiba-recommended OHP film should be used. The use of any other film may cause a malfunction.

□ Paper only acceptable for printing functions

Feeder	Media type	Weight	Maximum sheet capacity	Paper size
Bypass tray	Thick	90 - 105 g/m ² 24 - 28 lb. Bond	1 sheet *1, *2	305 mm x 1200 mm (12" x 47.24")
	Thick 1	106 - 163 g/m ² 29 lb. Bond - 90 lb. Index		
	Special 1 *3	230 g/m ²		

- *1 Place the sheets one by one on the bypass tray.
- *2 When the Finisher is installed, the receiving tray of the equipment cannot be used for paper exiting. The upper receiving tray of the installed Finisher, the upper receiving tray of the installed Saddle Stitch Finisher or upper receiving tray of the installed Inner Finisher can be used for paper exiting.
- *3 Only Toshiba-recommended waterproof paper should be used.

❑ Recommended paper for each media type

Media Type	Toshiba recommendations/Manufacturer	Weight
Plain	A/B format: TGIS Paper/mondi LT format: TIDAL MP / Hammermill	80 g/m ² , 20 lb. Bond
Thick	A/B format: Color Copy/mondi LT format: Laser Print/Hammermill, Color Copy Paper/ Hammermill	90 g/m ² , 24 lb. Bond
		100 g/m ² , 28 lb. Bond
Thick 1	A/B format: Color Copy/mondi LT format: Laser Print/Hammermill, Color Copy Paper/ Hammermill	120 g/m ² , 32 lb. Bond
		160 g/m ² , 60 lb. Cover
Thick 2	A/B format: Color Copy/mondi	200 g/m ²
	A/B format: 3478/ZWECK-AVERY * ¹ LT format: 5165/AVERY * ¹	—
Thick 3	A/B format: Color Copy/mondi LT format: Color Copy Cover/Hammermill	220 g/m ² , 80 lb. Cover
		250 g/m ²
Thick 4	A/B format: Color Copy/mondi LT format: Color Copy Cover/Hammermill	280 g/m ² , 100 lb. Cover
Special 1	A/B format: Water Proof Paper Duplex * ² , * ³ , * ⁴ LT format: Weather Resistance Paper * ² , * ³ , * ⁴	230 g/m ²
Special 2	AquaAce * ³	230 g/m ²
Transparency	A/B format: BG72/FOLEX	—
Envelope * ⁵ , * ⁶	COM10: Laser/Inkjet Business Envelope Regular/Quality Park Monarch: Mailwell No.553/Mailwell	—

*¹ Only Toshiba-recommended sticker labels should be used.

*² Place the sheets one by one on the bypass tray.

*³ Remove the copied paper from the receiving tray sheet by sheet. Remove the copied paper from the tray of the Finisher whenever 10 sheets of paper have been stacked.

*⁴ This type of paper is available for automatic duplex copying (A4/LT or smaller sizes are recommended).

*⁵ Printing on the back side of an envelope is not possible.

*⁶ Refer to "Notes for using envelopes" in the **Paper Preparation Guide**.

■ e-STUDIO2008A/2508A/3008A/3508A/4508A/5008A

Feeder	Media Type	Weight	Maximum sheet capacity	Size
Drawer	Plain, Recycled Paper	60 - 80 g/m ² 16 - 20 lb. Bond	600 sheets (64 g/m ²) (17 lb. Bond) 550 sheets (80 g/m ²) (20 lb. Bond)	A/B format: A3, A4, A4-R, A5-R, B4, B5, B5-R, FOLIO LT format: LD, LG, LT, LT-R, ST-R, COMP, 13"LG, 8.5"SQ K format: 8K, 16K, 16K-R Non-standard size *1: Length: 140 - 297 mm (5.5" - 11.7"), Width: 210 - 432 mm (8.3" - 17")
	Thick	81 - 105 g/m ² 21 - 28 lb. Bond	500 sheets	
	Thick 1	106 - 163 g/m ² 29 lb. Bond - 90 lb. Index	300 sheets	
	Thick 2	164 - 209 g/m ² 91 - 110 lb. Index	250 sheets	
	Thick 3	- 256 g/m ² - 140 lb. Index	200 sheets	
Large Capacity Feeder (optional)	Plain, Recycled Paper	64 - 80 g/m ² 17 - 20 lb. Bond	2360 sheets (64 g/m ²) (17 lb. Bond) 2000 sheets (75 g/m ²) (20 lb. Bond)	A4, LT
	Thick	81 - 105 g/m ² 21 - 28 lb. Bond	1660 sheets	
Envelope Drawer	Plain, Recycled Paper	60 - 80 g/m ² 16 - 20 lb. Bond	600 sheets (64 g/m ²) (17 lb. Bond) 550 sheets (80 g/m ²) (20 lb. Bond)	A/B format: A4-R, B5-R, A5-R LT format: LG, 13"LG, LT-R, ST-R K format: 16K-R Envelope: DL (110 mm x 220 mm), COM10 (4 1/8" x 9 1/2"), Monarch (3 7/8" x 7 1/2"), CHO-3 (120 mm x 235 mm), YOU-4 (105 mm x 235 mm), KAKU-2 (240 mm x 332 mm)
	Thick	81 - 105 g/m ² 21 - 28 lb. Bond	500 sheets	
	Thick 1	106 - 163 g/m ² 29 lb. Bond - 90 lb. Index	300 sheets	
	Thick 2	164 - 209 g/m ² 91 - 110 lb. Index	250 sheets	
	Thick 3	- 256 g/m ² - 140 lb. Index	200 sheets	
	Envelope *2, *3, *4, *5	—	60 sheets (50 mm in height or less)	

Feeder	Media Type	Weight	Maximum sheet capacity	Size
Bypass tray	Thin ^{*3, *6}	52 - 59 g/m ² 14 - 16 lb. Bond	1 sheet	A/B format: A3, A4, A4-R, A5-R, B4, B5, B5-R, A6-R, FOLIO LT format: LD, LG, LT, LT-R, ST-R, COMP, 13"LG, 8.5"SQ K format: 8K, 16K, 16K-R Non-standard size ^{*1}: Length: 100 - 297 mm (3.9" - 11.7"), Width: 148 - 432 mm (5.8" - 17")
	Plain, Recycled Paper	60 - 80 g/m ² 16 - 20 lb. Bond	100 sheets (64 g/m ²) (17 lb. Bond) 100 sheets (80 g/m ²) (20 lb. Bond)	
	Thick ^{*7}	81 - 105 g/m ² 21 - 28 lb. Bond	80 sheets	
	Thick 1 ^{*3}	106 - 163 g/m ² 29 lb. Bond - 90 lb. Index	40 sheets	
	Thick 2 ^{*3, *8}	164 - 209 g/m ² 91 - 110 lb. Index	30 sheets	
	Thick 3	- 256 g/m ² - 140 lb. Index	30 sheets	
	Transparency ^{*3}	75 g/m ²	1 sheet	A4, LT
	Envelope ^{*3, *4, *5}	—	10 envelopes (11 mm in height or less)	Envelope: DL (110 mm x 220 mm), COM10 (4 1/8" x 9 1/2"), Monarch (3 7/8" x 7 1/2"), CHO-3 (120 mm x 235 mm), YOU-4 (105 mm x 235 mm), KAKU-2 (240 mm x 332 mm) Non-standard size ^{*1}: Length: 100 - 297 mm (3.9" - 11.7"), Width: 148 - 432 mm (5.8" - 17")
Tab Paper ^{*3}	—	—	A4, LT	

^{*1} When paper of a non-standard size is used, set the paper size by means of [Custom Paper].

^{*2} When the upper receiving tray of the Finisher or the Saddle Stitch Finisher is used to allow envelopes to exit, be sure to remove them from the tray after 60 of them have been stacked.

^{*3} Auto duplex copying is not available.

^{*4} Printing on the back side of an envelope is not possible.

^{*5} When the Inner Finisher is installed, the envelope exits to the receiving tray of the finisher.

^{*6} When the Saddle Stitch Finisher is installed, the envelope exits to the exit tray of the equipment.

^{*7} For printing on the tracing paper, select "Thick" as the media type. Automatic duplex copying is not available.

^{*8} When an attempt to print on the sticker labels is made, select "Thick 2" for the paper type. Only sticker labels whose label side is not cut can be Used. Only one sticker label can be fed at one time. Automatic duplex copying is not available for sticker labels.

☐ Recommended paper for each media type

Media Type	Toshiba recommendations/Manufacturer	Weight
Plain	A/B format: TGIS Paper/Mondi LT format: TIDAL/Hammermill	80 g/m ² , 20 lb. Bond
Thick	A/B format: Color Copy/Mondi LT format: Laser/Hammermill	90 g/m ² , 24 lb. Bond
	Tracing Paper/Ostrich International ^{*1}	—
Thick 1	A/B format: Color Copy/Mondi LT format: Laser/Hammermill	120 g/m ² , 32 lb. Bond
	A/B format: Color Copy/Mondi LT format: Exact Index/WAUSAU	160 g/m ² , 90 lb. Index
Thick 2	A/B format: Color Copy/Mondi LT format: Exact Index/WAUSAU	200 g/m ² , 110 lb. Index
	A/B format: 3478/ZWECH-AVERY ^{*1, *2} LT format: 5165/AVERY ^{*1, *2}	—
Thick 3	A/B format: Color Copy /Mondi LT format: Color Copy Cover /Hammermill	220 g/m ² , 80 lb. Cover 250 g/m ²
Transparency ^{*1, *3}	A/B format: PP2500/3M LT format: PP2500L/3M, X-10.0/Folex	—
Envelope ^{*4, *5}	COM10: Envelope, Imprinted, No Window/DELUXE Monarch: Mailwell No. 553/Mailwell	—

^{*1} Automatic duplex copying is not available.

^{*2} Only Toshiba-recommended sticker labels should be used.

^{*3} Only Toshiba-recommended OHP film should be used. Using any other film may cause a malfunction.

^{*4} Printing on the back side of an envelope is not possible.

^{*5} Refer to “Notes for using envelopes” in the **Paper Preparation Guide**.

■ e-STUDIO3508LP/4508LP/5008LP

□ Black and white print

Feeder	Media Type	Weight	Maximum sheet capacity	Size
Drawer	Plain, Recycled Paper	60 - 80 g/m ² 16 - 20 lb. Bond	Stack height 60.5 mm (2.38") or less 600 sheets (64 g/m ²) (17 lb. Bond) 550 sheets (80 g/m ²) (20 lb. Bond)	A/B format: A3, A4, A4-R, A5-R, B4, B5, B5-R, FOLIO LT format: LD, LG, LT, LT-R, ST-R, COMP, 13"LG, 8.5"SQ K format: 8K, 16K, 16K-R Non-standard size *1: Length: 140 - 297 mm (5.5" - 11.7"), Width: 210 - 432 mm (8.3" - 17")
	Thick	81 - 105 g/m ² 21 - 28 lb. Bond	500 sheets	
	Thick 1	106 - 163 g/m ² 29 lb. Bond - 90 lb. Index	300 sheets	
	Thick 2	164 - 209 g/m ² 91 - 110 lb. Index	250 sheets	
	Thick 3	- 256 g/m ² - 140 lb. Index	200 sheets	
Large Capacity Feeder (optional)	Plain, Recycled Paper	64 - 80 g/m ² 17 - 20 lb. Bond	2360 sheets (64 g/m ²) (17 lb. Bond) 2000 sheets (75 g/m ²) (20 lb. Bond)	A4, LT
	Thick	81 - 105 g/m ² 21 - 28 lb. Bond	1660 sheets	
Envelope Drawer	Plain, Recycled Paper	60 - 80 g/m ² 16 - 20 lb. Bond	600 sheets (64 g/m ²) (17 lb. Bond) 550 sheets (80 g/m ²) (20 lb. Bond)	A/B format: A4-R, B5-R, A5-R LT format: LG, 13"LG, LT-R, ST-R K format: 16K-R Envelope: DL (110 mm x 220 mm), COM10 (4 1/8" x 9 1/2"), Monarch (3 7/8" x 7 1/2"), CHO-3 (120 mm x 235 mm), YOU-4 (105 mm x 235 mm), KAKU-2 (240 mm x 332 mm)
	Thick	81 - 105 g/m ² 21 - 28 lb. Bond	500 sheets	
	Thick 1	106 - 163 g/m ² 29 lb. Bond - 90 lb. Index	300 sheets	
	Thick 2	164 - 209 g/m ² 91 - 110 lb. Index	250 sheets	
	Thick 3	- 256 g/m ² - 140 lb. Index	200 sheets	
	Envelope *2, *3 *4, *5	—	60 sheets (50 mm in height or less)	

Feeder	Media Type	Weight	Maximum sheet capacity	Size
Bypass tray	Plain, Recycled Paper	60 - 80 g/m ² 16 - 20 lb. Bond	Stack height 11 mm (0.43") or less 100 sheets (64 g/m ²) (17 lb. Bond) 100 sheets (80 g/m ²) (20 lb. Bond)	A/B format: A3, A4, A4-R, A5-R, B4, B5, B5-R, A6-R, FOLIO LT format: LD, LG, LT, LT-R, ST-R, COMP, 13"LG, 8.5"SQ K format: 8K, 16K, 16K-R Non-standard size *1: Length: 100 - 297 mm (3.9" - 11.7"), Width: 148 - 432 mm (5.8" - 17")
	Thick	81 - 105 g/m ² 21 - 28 lb. Bond	80 sheets	
	Thick 1 *3	106 - 163 g/m ² 29 lb. Bond - 90 lb. Index	40 sheets	
	Thick 2 *3, *7	164 - 209 g/m ² 91 - 110 lb. Index	30 sheets	
	Thick 3	- 256 g/m ² - 140 lb. Index	30 sheets	
	Envelope *3, *4, *5	—	10 envelopes (11 mm in height or less)	Envelope: DL (110 mm x 220 mm), COM10 (4 1/8" x 9 1/2"), Monarch (3 7/8" x 7 1/2"), CHO-3 (120 mm x 235 mm), YOU-4 (105 mm x 235 mm), KAKU-2 (240 mm x 332 mm) Non-standard size *1: Length: 100 - 297 mm (3.9" - 11.7"), Width: 148 - 432 mm (5.8" - 17")
Tab Paper *3	—	—	A4, LT	

*1 When paper of a non-standard size is used, set the paper size by means of [Custom Paper].

*2 When the upper receiving tray of the Finisher or the Saddle Stitch Finisher is used to allow envelopes to exit, be sure to remove them from the tray after 60 of them have been stacked.

*3 Auto duplex copying is not available.

*4 Printing on the back side of an envelope is not possible.

*5 When the Inner Finisher is installed, the envelope exits to the receiving tray of the finisher.

*6 When the Saddle Stitch Finisher is installed, the envelope exits to the exit tray of the equipment.

*7 When an attempt to print on the sticker labels is made, select "Thick 2" for the paper type. Only sticker labels whose label side is not cut can be Used. Only one sticker label can be fed at one time. Automatic duplex copying is not available for sticker labels.

☐ Erasable blue print

Feeder	Media Type	Weight	Maximum sheet capacity	Size
Drawer	Plain, Recycled Paper	64 - 80 g/m ² 17 - 20 lb. Bond	Stack height 60.5 mm (2.38") or less 600 sheets (64 g/m ²) (17 lb. Bond) 550 sheets (80 g/m ²) (20 lb. Bond) Reused paper * ¹ Stack height 52 mm (2.05") or less 400 sheets	A/B format: A3, A4, A4-R, A5-R, B4, B5, B5-R, FOLIO LT format: LD, LG, LT, LT-R, ST-R, COMP, 13"LG, 8.5"SQ K format: 8K, 16K, 16K-R Non-standard size *²: Length: 140 - 297 mm (5.5" - 11.7"), Width: 210 - 432 mm (8.3" - 17")
Bypass tray	Plain, Recycled Paper	64 - 80 g/m ² 17 - 20 lb. Bond	Stack height 11 mm (0.43") or less 100 sheets (64 g/m ²) (17 lb. Bond) 100 sheets (80 g/m ²) (20 lb. Bond) Reused paper * ¹ Stack height 5.5 mm (0.22") or less 40 sheets	A/B format: A3, A4, A4-R, A5-R, B4, B5, B5-R, FOLIO LT format: LD, LG, LT, LT-R, ST-R, COMP, 13"LG, 8.5"SQ K format: 8K, 16K, 16K-R Non-standard size *²: Length: 100 - 297 mm (3.9" - 11.7"), Width: 148 - 432 mm (5.8" - 17")

*¹ Paper printed by erasable blue toner of e-STUDIO5008LP Series and erased by e-STUDIO RD301.

*² When paper of a non-standard size is used, set the paper size by means of [Custom Paper].

☐ Recommended paper for each media type

Media Type	Toshiba recommendations/Manufacturer	Weight
Plain	A/B format: TGIS Paper/Mondi LT format: TIDAL/Hammermill	80 g/m ² , 20 lb. Bond
Thick	A/B format: Color Copy/Mondi LT format: Laser/Hammermill	90 g/m ² , 24 lb. Bond
		100 g/m ² , 28 lb. Bond
Thick 1	A/B format: Color Copy/Mondi LT format: Laser/Hammermill	120 g/m ² , 32 lb. Bond
	A/B format: Color Copy/Mondi LT format: Exact Index/WAUSAU	160 g/m ² , 90 lb. Index
Thick 2	A/B format: Color Copy/Mondi LT format: Exact Index/WAUSAU	200 g/m ² , 110 lb. Index
	A/B format: 3478/ZWECH-AVERY *1, *2 LT format: 5165/AVERY *1, *2	—
Envelope *3, *4	COM10: Laser/Inkjet Business Envelope Regular/Quality Park Monarch: Mailwell No. 553/Mailwell	—

*1 Automatic duplex copying is not available.
 *2 Only Toshiba-recommended sticker labels should be used.
 *3 Printing on the back side of an envelope is not possible.
 *4 Refer to “Notes for using envelopes” in the **Paper Preparation Guide**.

■ e-STUDIO5506AC/6506AC/7506AC

Feeder	Media Type	Weight	Maximum sheet capacity	Size
Drawer	Plain, Recycled Paper	60 - 80 g/m ² 16 - 20 lb. Bond	540 sheets	A/B format: A3, A4, A4-R, A5-R, B4, B5, B5-R, FOLIO, 320 x 450 mm ^{*1} , 320 x 460 mm ^{*1} , 305 x 457 mm ^{*1} LT format: LD, LG, LT, LT-R, ST-R, COMP, 13"LG, 8.5"x 8.5", 12"x 18" ^{*1} K format: 8K, 16K, 16K-R Non-standard size ^{*2}: Copy: Length: 140 - 313 mm (5.5" - 12.3"), Width: 210 - 460 mm (8.3" - 18.1") Print: Length: 140 - 313.4 mm (5.5" - 12.34"), Width: 210 - 460 mm (8.3" - 18.1")
	Thick	81 - 105 g/m ² 21 - 28 lb. Bond	500 sheets	
	Thick 1	106 - 163 g/m ² 29 lb. Bond - 90 lb. Index	300 sheets	
	Thick 2	164 - 209 g/m ² 91 - 110 lb. Index	250 sheets	
	Thick 3	- 256 g/m ² - 140 lb. Index	200 sheets	
Tandem Large Capacity Feeder ^{*3}	Plain, Recycled Paper	60 - 80 g/m ² 16 - 20 lb. Bond	2360 sheets	A/B format: A4 LT format: LT
	Thick	81 - 105 g/m ² 21 - 28 lb. Bond	2000 sheets	
	Thick 1	106 - 163 g/m ² 29 lb. Bond - 90 lb. Index	1400 sheets	
	Thick 2	164 - 209 g/m ² 91 - 110 lb. Index	1000 sheets	
	Thick 3	- 256 g/m ² - 140 lb. Index	800 sheets	
External Large Capacity Feeder (optional)	Plain, Recycled Paper	60 - 80 g/m ² 16 - 20 lb. Bond	2500 sheets	A/B format: A4 LT format: LT
	Thick	81 - 105 g/m ² 21 - 28 lb. Bond	2200 sheets	
	Thick 1	106 - 163 g/m ² 29 lb. Bond - 90 lb. Index	1500 sheets	
	Thick 2	164 - 209 g/m ² 91 - 110 lb. Index	1200 sheets	
	Thick 3	- 256 g/m ² - 140 lb. Index	1000 sheets	

Feeder	Media Type	Weight	Maximum sheet capacity	Size
Bypass tray	Plain, Recycled Paper	60 - 80 g/m ² 16 - 20 lb. Bond	120 sheets	A/B format: A3, A4, A4-R, A5-R, B4, B5, B5-R, FOLIO, 320 x 450 mm ^{*4} , 320 x 460 mm ^{*4} , 305 x 457 mm, 330 x 483 mm LT format: LD, LG, LT, LT-R, ST-R, COMP, 13"LG, 8.5" x 8.5", 12" x 18", 13" x 19" K format: 8K, 16K, 16K-R Non-standard size ^{*2}: Copy: Length: 100 - 313 mm (3.9" - 12.3"), Width: 148 - 460 mm (5.8" - 18.1") Print: Length: 100 - 313.4 mm (3.9" - 12.34"), Width: 148 - 1200 mm (5.8" - 47.24")
	Thick	81 - 105 g/m ² 21 - 28 lb. Bond	80 sheets	
	Thick 1	106 - 163 g/m ² 29 lb. Bond - 90 lb. Index	40 sheets	
	Thick 2 ^{*5}	164 - 209 g/m ² 91 - 110 lb. Index	30 sheets	
	Thick 3	- 256 g/m ² - 140 lb. Index	30 sheets	
	Thick 4 ^{*1, *6}	257 - 300 g/m ² - 110 lb. Cover	30 sheets	
	Special 1 ^{*7, *8}	230 g/m ²	30 sheets	
	Special 2 ^{*7, *8}	230 g/m ²	30 sheets	
	Transparency ^{*1, *9}	—	30 sheets	
	Envelope ^{*1}	—	10 sheets	DL (110 mm x 220 mm), COM10 (4 1/8" x 9 1/2"), Monarch (3 7/8" x 7 1/2"), CHO-3 (120 mm x 235 mm), YOU-4 (105 mm x 235 mm), KAKU-2 (240 mm x 332 mm)
Tab Paper ^{*1}	—	—	A4, LT	

^{*1} Automatic duplex copying is not available.

^{*2} When paper of a non-standard size is used, set the paper size by means of [Custom Paper].

^{*3} The Tandem Large Capacity Feeder is not installed depending on the models.

^{*4} If printing is performed with paper having a width of 320 mm (12.6"), the images approx. 5.5 mm (0.22") from each side of the paper may not be printed clearly (faint image).

^{*5} When an attempt to print on the sticker labels is made, select "Thick 2" for the paper type. Only sticker labels whose label side is not cut can be used. Only one sticker label can be fed at one time. Automatic duplex copying is not available for sticker labels.

^{*6} When duplex copying is applied to Thick 4 paper, streaks may appear on the front side of the printouts. These streaks may appear clearly when a copied image is dark or when the density level of an entire image is even.

^{*7} Special 1 and Special 2 indicate waterproof paper.

^{*8} Duplex copying is available only when the waterproof paper supporting it is used.

^{*9} Only Toshiba-recommended OHP film should be used. The use of any other film may cause a malfunction.

❑ Paper only acceptable for printing functions

Feeder	Media type	Weight	Maximum sheet capacity	Paper size
Bypass tray	Thick	90 - 105 g/m ² 24 - 28 lb. Bond	1sheet *1, *2	313.4 mm x 1200 mm 12.34" x 47.24"
	Thick 1	106 - 163 g/m ² 29 lb. Bond - 90 lb. Index		
	Special 1 *3	230 g/m ²		

*1 Place the sheets one by one on the bypass tray.

*2 When the Finisher is installed, it is not possible to have the paper exit to the receiving tray of the equipment. The paper will exit to the upper receiving tray of the Finisher, Saddle Stitch Unit or Inner Finisher.

*3 Only Toshiba-recommended waterproof paper should be used.

❑ Recommended paper for each media type

Media Type	Toshiba recommendations/Manufacturer	Weight
Plain	A/B format: TGIS Paper/Mondi	80 g/m ²
	LT format: TIDAL MP/Hammermill	20 lbs (Bond)
Thick	A/B format: Color Copy/mondi	90 g/m ² , 24 lb. Bond
	LT format: Laser Print/Hammermill, Color Copy Paper/Hammermill	100 g/m ² , 28 lb. Bond
Thick 1	A/B format: Color Copy/mondi	120 g/m ² , 32 lb. Bond
	LT format: Laser Print/Hammermill, Color Copy Paper/Hammermill	160 g/m ² , 60 lb. Cover
Thick 2	A/B format: Color Copy/mondi	200 g/m ² , 110 lb. Index
	A/B format: 3478/ZWECK-AVERY *1	—
	LT format: 5165/AVERY *1	—
Thick 3	A/B format: Color Copy/mondi	220 g/m ² , 80 lb. Cover
	LT format: Color Copy Cover/Hammermill	250 g/m ²
Thick 4	A/B format: Color Copy/mondi	280 g/m ² , 100 lb. Cover
	LT format: Color Copy Cover/Hammermill	300 g/m ² , 110 lb. Cover
Transparency *2	A/B format: BG72/FOLEX	—
Special 1	A/B format: Water Proof Paper Duplex *3, *4, *5	230 g/m ²
	LT format: Weather Resistance Paper *3, *4, *5	
Special 2	AquaAce *5	230 g/m ²
Envelope *6, *7	COM10: Laser/Inkjet Business Envelope Regular/Quality Park Monarch: Mailwell No.553/Mailwell	—

*1 Only Toshiba-recommended sticker labels should be used.

*2 Only Toshiba-recommended OHP film should be used. The use of any other film may cause a malfunction.

*3 This type of paper is available for automatic duplex copying (A4/LT or smaller sizes are recommended).

*4 Place the sheets one by one on the bypass tray.

*5 Remove the copied paper from the receiving tray sheet by sheet. Remove the copied paper from the tray of the Finisher whenever 10 sheets of paper have been stacked.

*6 Printing on the back side of an envelope is not possible.

*7 Refer to "Notes for using envelopes" in the **Paper Preparation Guide**.

■ e-STUDIO5508A/6508A/7508A/8508A

Feeder	Media Type	Weight	Maximum sheet capacity	Size
Drawer	Plain, Recycled Paper	60 - 80 g/m ² 16 - 20 lb. Bond	540 sheets	A/B format: A3, A4, A4-R, A5-R, B4, B5, B5-R, FOLIO, 320 x 450 mm ^{*1} , 320 x 460 mm ^{*1} , 305 x 457 mm ^{*1} LT format: LD, LG, LT, LT-R, ST-R, COMP, 13"LG, 8.5" x 8.5", 12" x 18" ^{*1} K format: 8K, 16K, 16K-R Non-standard size ^{*2}: Copy: Length: 140 - 313 mm (5.5" - 12.3"), Width: 210 - 460 mm (8.3" - 18.1") Print: Length: 140 - 313.4 mm (5.5" - 12.34"), Width: 210 - 460 mm (8.3" - 18.1")
	Thick	81 - 105 g/m ² 21 - 28 lb. Bond	500 sheets	
	Thick 1	106 - 163 g/m ² 29 lb. Bond - 90 lb. Index	300 sheets	
	Thick 2	164 - 209 g/m ² 91 - 110 lb. Index	250 sheets	
	Thick 3	- 256 g/m ² - 140 lb. Index	200 sheets	
Tandem Large Capacity Feeder ^{*3}	Plain, Recycled Paper	60 - 80 g/m ² 16 - 20 lb. Bond	2360 sheets	A/B format: A4 LT format: LT
	Thick	81 - 105 g/m ² 21 - 28 lb. Bond	2000 sheets	
	Thick 1	106 - 163 g/m ² 29 lb. Bond - 90 lb. Index	1400 sheets	
	Thick 2	164 - 209 g/m ² 91 - 110 lb. Index	1000 sheets	
	Thick 3	- 256 g/m ² - 140 lb. Index	800 sheets	
External Large Capacity Feeder (optional)	Plain, Recycled Paper	60 - 80 g/m ² 16 - 20 lb. Bond	2500 sheets	A/B format: A4 LT format: LT
	Thick	81 - 105 g/m ² 21 - 28 lb. Bond	2200 sheets	
	Thick 1	106 - 163 g/m ² 29 lb. Bond - 90 lb. Index	1500 sheets	
	Thick 2	164 - 209 g/m ² 91 - 110 lb. Index	1200 sheets	
	Thick 3	- 256 g/m ² - 140 lb. Index	1000 sheets	

Feeder	Media Type	Weight	Maximum sheet capacity	Size
Bypass tray	Plain, Recycled Paper	60 - 80 g/m ² 16 - 20 lb. Bond	120 sheets	A/B format: A3, A4, A4-R, A5-R, B4, B5, B5-R, FOLIO, 320 x 450 mm ^{*4} , 320 x 460 mm ^{*4} , 305 x 457 mm, 330 x 483 mm
	Thick	81 - 105 g/m ² 21 - 28 lb. Bond	80 sheets	
	Thick 1	106 - 163 g/m ² 29 lb. Bond - 90 lb. Index	40 sheets	
	Thick 2 ^{*5}	164 - 209 g/m ² 91 - 110 lb. Index	30 sheets	LT format: LD, LG, LT, LT-R, ST-R, COMP, 13"LG, 8.5" x 8.5", 12" x 18", 13" x 19"
	Thick 3	- 256 g/m ² - 140 lb. Index	30 sheets	K format: 8K, 16K, 16K-R
	Thick 4 ^{*1, *6}	257 - 300 g/m ² - 110 lb. Cover	30 sheets	Non-standard size ^{*2}: Copy: Length: 100 - 313 mm (3.9" - 12.3"), Width: 148 - 460 mm (5.8" - 18.1") Print: Length: 100 - 313.4 mm (3.9" - 12.34"), Width: 148 - 1200 mm (5.8" - 47.24")
	Special 1 ^{*7, *8}	230 g/m ²	30 sheets	—
	Special 2 ^{*7, *8}	230 g/m ²	30 sheets	—
	Transparency ^{*1, *9}	—	30 sheets	—
	Envelope ^{*1}	—	10 sheets	DL (110 mm x 220 mm), COM10 (4 1/8" x 9 1/2"), Monarch (3 7/8" x 7 1/2"), CHO-3 (120 mm x 235 mm), YOU-4 (105 mm x 235 mm), KAKU-2 (240 mm x 332 mm)
Tab Paper ^{*1}	—	—	A4, LT	

*1 Automatic duplex copying is not available.

*2 When paper of a non-standard size is used, set the paper size by means of [Custom Paper].

*3 The Tandem Large Capacity Feeder is not installed depending on the models.

*4 If printing is performed with paper having a width of 320 mm (12.6"), the images approx. 5.5 mm (0.22") from each side of the paper may not be printed clearly (faint image).

*5 When an attempt to print on the sticker labels is made, select "Thick 2" for the paper type. Only sticker labels whose label side is not cut can be used. Only one sticker label can be fed at one time. Automatic duplex copying is not available for sticker labels.

*6 When duplex copying is applied to Thick 4 paper, streaks may appear on the front side of the printouts. These streaks may appear clearly when a copied image is dark or when the density level of an entire image is even.

*7 Special 1 and Special 2 indicate waterproof paper.

*8 Duplex copying is available only when the waterproof paper supporting it is used.

*9 Only Toshiba-recommended OHP film should be used. The use of any other film may cause a malfunction.

❑ Paper only acceptable for printing functions

Feeder	Media type	Weight	Maximum sheet capacity	Paper size
Bypass tray	Thick	90 - 105 g/m ² 24 - 28 lb. Bond	1 sheet ^{*1, *2}	313.4 mm x 1200 mm 12.34" x 47.24"
	Thick 1	106 - 163 g/m ² 29 lb. Bond - 90 lb. Index		
	Special 1 ^{*3}	230 g/m ²		

^{*1} Place the sheets one by one on the bypass tray.
^{*2} When the Finisher is installed, it is not possible to have the paper exit to the receiving tray of the equipment. The paper will exit to the upper receiving tray of the Finisher, Saddle Stitch Unit or Inner Finisher.
^{*3} A/B format: Water Proof Paper Duplex and LT format: Weather Resistance Paper can be used.


❑ Recommended paper for each media type

Media Type	Toshiba recommendations/Manufacturer	Weight
Plain	A/B format: TGIS Paper/Mondi	80 g/m ²
	LT format: TIDAL MP/Hammermill	20 lbs (Bond)
Thick	A/B format: Color Copy/mondi	90 g/m ² , 24 lb. Bond
	LT format: Laser Print/Hammermill, Color Copy Paper/Hammermill	100 g/m ² , 28 lb. Bond
Thick 1	A/B format: Color Copy/mondi	120 g/m ² , 32 lb. Bond
	LT format: Laser Print/Hammermill, Color Copy Paper/Hammermill	160 g/m ² , 60 lb. Cover
Thick 2	A/B format: Color Copy/mondi	200 g/m ² , 110 lb. Index
	A/B format: 3478/ZWECK-AVERY ^{*1}	—
	LT format: 5165/AVERY ^{*1}	—
Thick 3	A/B format: Color Copy/mondi	220 g/m ² , 80 lb. Cover
	LT format: Color Copy Cover/Hammermill	250 g/m ²
Thick 4	A/B format: Color Copy/mondi	280 g/m ² , 100 lb. Cover
	LT format: Color Copy Cover/Hammermill	300 g/m ² , 110 lb. Cover
Transparency ^{*2}	A/B format: BG72/FOLEX	—
Special 1	A/B format: Water Proof Paper Duplex ^{*3, *4, *5}	230 g/m ²
	LT format: Weather Resistance Paper ^{*3, *4, *5}	
Special 2	LT format: AquaAce ^{*5}	230 g/m ²
Envelope ^{*6, *7}	COM10: Laser/Inkjet Business Envelope Regular/Quality Park Monarch: Mailwell No.553/Mailwell	—

^{*1} Only Toshiba-recommended sticker labels should be used.
^{*2} Only Toshiba-recommended OHP film should be used. The use of any other film may cause a malfunction.
^{*3} This type of paper is available for automatic duplex copying (A4/LT or smaller sizes are recommended).
^{*4} Place the sheets one by one on the bypass tray.
^{*5} Remove the copied paper from the receiving tray sheet by sheet. Remove the copied paper from the tray of the Finisher whenever 10 sheets of paper have been stacked.
^{*6} Printing on the back side of an envelope is not possible.
^{*7} Refer to “Notes for using envelopes” in the **Paper Preparation Guide**.

SPECIFICATIONS OF EQUIPMENT

e-STUDIO2000AC/2500AC	30
Continuous copy speed	32
e-STUDIO2505AC/3005AC/3505AC/4505AC/5005AC	33
Continuous copy speed	35
e-STUDIO2008A/2508A/3008A/3508A/4508A/5008A	40
Continuous copy speed	41
e-STUDIO3508LP/4508LP/5008LP	45
Continuous copy speed	47
e-STUDIO5506AC/6506AC/7506AC	49
Continuous copy speed	51
e-STUDIO5508A/6508A/7508A/8508A	54
Continuous copy speed	56
List of Internal Fonts	58
Internal PCL fonts list.....	58
Internal PS fonts list.....	59
Template	62

Model name		FC-2000AC/2500AC
Type		Desktop type
Original glass		Fixed
Printing (copying) system		Indirect electrophotographic method
Developing system		2-component magnetic brush developing
Fixing method		Halogen lamp roller fusing
Photosensor type		OPC
Original scanning system		Flat surface scanning system (When the RADF is installed: Fixed scanning system by feeding the original)
Original scanning sensor		Linear CCD sensor
Scanning light source		LED
Resolution	Scanning	600 dpi x 600 dpi
	Writing	Copy Black-and-white: 600 dpi x 600 dpi 5 bits, 2400 dpi (Equivalence) x 600 dpi (Smoothing process) Color: 600 dpi x 600 dpi 5 bits Print Black-and-white/Color: 600 dpi x 600 dpi 5 bits, 600 dpi x 1200 dpi 1 bit (PostScript)
Acceptable originals		Sheets, books and 3-dimensional objects
Acceptable original size		Max. A3 or LD
Acceptable copy paper size	Drawer	A3, A4, A4-R, A5-R, B4, B5, B5-R, FOLIO, LD, LG, LT, LT-R, ST-R, COMP, 13"LG, 8.5"SQ, 8K, 16K, 16K-R
	Bypass	Paper size within 100 - 297 mm (3.94" - 11.69") (Length), 148 - 432 mm (5.83" - 17.01") (Width)
Acceptable copy paper weight	Drawer	60 - 163 g/m ² (16 lb. Bond - 90 lb. Index)
	Bypass	Continuous paper feed / Single paper feed: 60 - 209 g/m ² (16 lb. Bond - 110 lb. Index) For the Automatic duplexing unit: 60 - 163 g/m ² (16 lb. Bond - 90 lb. Index)
Warm-up time *1		Approx. 21 seconds (Temperature 20 °C (68 °F))
Recovery time (from the sleep mode) *1		100/120 V: 15 seconds or less 230 V: 13.1 seconds or less
First copy time (A4 or LT portrait)	Black-and-white	7.1 seconds or less
	Color	9.5 seconds or less
Continuous copy speed		 P.32 "Continuous copy speed"
Multiple copying		Up to 999 sheets (digital key entry)

Excluded image width	Black-and-white	Leading edge: 4.2 mm (+ 2.8 mm, - 1.2 mm) (0.17" (+ 0.11", - 0.05")), Trailing edge: 3.0 mm (\pm 2.0 mm) (0.12" (\pm 0.08")), Both edges: 2.0 mm (\pm 2.0 mm) (0.08" (\pm 0.08"))
	Color	Leading edge: 5.0 mm (\pm 2.0 mm) (0.20" (\pm 0.08")), Trailing edge: 3.0 mm (\pm 2.0 mm) (0.12" (\pm 0.08")), Both edges: 2.0 mm (\pm 2.0 mm) (0.08" (\pm 0.08"))
	Printer (Black-and-white/Color)	Leading edge: 4.2 mm (+ 2.8 mm, - 1.2 mm) (0.17" (+ 0.11", - 0.05")), Trailing edge: 4.2 mm (+1.2 mm, - 2.8 mm) (0.17" (+ 0.05", - 0.11")), Both edges: 4.2 mm (\pm 2.0 mm) (0.17" (\pm 0.08"))
Reproduction ratio	Actual size	100 \pm 0.5%
	Zoom	25 - 400% (in 1% increments)
		For the RADF 25 - 200% (in 1% increments)
Paper supply	Drawer	Approx. 250 sheets (80 g/m ² , 20 lb. Bond)
	Bypass	Approx. 100 sheets (80 g/m ² , 20 lb. Bond)
Exit tray loading capacity		Approx. 550 sheets (80 g/m ² , 20 lb. Bond)
Toner density adjustment		Magnetic auto-toner system + Pixel count system
Exposure control		Automatic plus manual selection from 11 exposure step
USB interface		USB 2.0 (Hi-Speed)
Environment (for normal use)		Temperature: 10 - 30 °C (50 - 86 °F), Humidity: 20 - 85% (No Condensation)
Power requirements and Power consumption (including optional equipments)		AC 220-240 V \pm 10%, 8 A (50/60 Hz): 1.6 kW or less AC 120 V \pm 10%, 12 A (50/60 Hz): 1.5 kW or less
Dimensions (equipment only)		575 mm (22.6") (W) x 585 mm (23.2") (D) x 662 mm (26") (H) (At 90 degrees of the control panel angle) 575 mm (22.6") (W) x 706 mm (27.8") (D) x 662 mm (26") (H) (At 7 degrees of the control panel angle)
Weight		e-STUDIO2000AC/2500AC: Approx. 57 kg (125.7 lb.) (equipment including developer and drum)
Space occupied (equipment only)		958 mm (37.7") (W) x 752 mm (29.6") (D) (At 7 degrees of the control panel angle)
Storage capacity		Max. 1000 sheets or until the memory is full (Toshiba's own chart)

*1 This specification varies depending on the use conditions and the use environment.

- Specifications and appearance are subject to change without notice in the interest of product improvement.

■ Continuous copy speed

Copy speeds under the condition in which originals are placed on the original glass and single-side copies are made continuously with 100% reproduction ratio in the non-sort mode (unit: sheet/minute).

□ e-STUDIO2000AC


Paper size	Feeder	Paper type					
		Plain/Recycled Paper/Thick		Thick 1		Thick 2	
		B&W	Color ^{*1}	B&W	Color ^{*1}	B&W	Color ^{*1}
A4, A5-R, B5, LT, ST-R, 8.5"SQ	Drawer	20	20	16.5	16.5	16.5	16.5
	Bypass tray	20	20	16.5	16.5	16.5	16.5
A4-R, B5-R, LT-R	Drawer	15	15	12.5	12.5	12.5	12.5
	Bypass tray	15	15	12.5	12.5	12.5	12.5
B4, FOLIO, LG, COMP, 13"LG	Drawer	12	12	10	10	10	10
	Bypass tray	12	12	10	10	10	10
A3, LD	Drawer	10	10	8	8	8	8
	Bypass tray	10	10	8	8	8	8

□ e-STUDIO2500AC

Paper size	Feeder	Paper type					
		Plain/Recycled Paper/Thick		Thick 1		Thick 2	
		B&W	Color ^{*1}	B&W	Color ^{*1}	B&W	Color ^{*1}
A4, A5-R, B5, LT, ST-R, 8.5"SQ	Drawer	25	25	16.5	16.5	16.5	16.5
	Bypass tray	25	25	16.5	16.5	16.5	16.5
A4-R, B5-R, LT-R	Drawer	18	18	12.5	12.5	12.5	12.5
	Bypass tray	18	18	12.5	12.5	12.5	12.5
B4, FOLIO, LG, COMP, 13"LG	Drawer	15	15	10	10	10	10
	Bypass tray	15	15	10	10	10	10
A3, LD	Drawer	12	12	8	8	8	8
	Bypass tray	12	12	8	8	8	8

*1 Full Color, Twin Color, Mono Color, Image Smoothing

- The bypass copying speed when the paper size is specified is as listed above.
- Printing may stop for 2 minutes or so at a low temperature to maintain its quality.
- TOSHIBA-recommended paper is used for the values of the specifications above.
- These specifications vary depending on the copying conditions and the environment.

Model name		FC-2505AC/FC-3005AC/FC-3505AC/FC-4505AC/FC-5005AC
Type		Desktop type
Original glass		Fixed
Printing (copying) system		Indirect electrophotographic method
Developing system		2-component magnetic brush developing
Fixing method		External IH belt fusing
Photosensor type		OPC
Original scanning system		Flat surface scanning system (When the RADF is installed: Fixed scanning system by feeding the original When the DSDF is installed: Coinstantaneous 2-sided (the front and back sides) scanning system)
Original scanning sensor		Linear CCD sensor
Scanning light source		LED
Resolution	Scanning	600 dpi x 600 dpi
	Writing	Copy Black-and-white: 600 dpi x 600 dpi 5 bits, 2400 dpi (Equivalence) x 600 dpi (Smoothing process) Color: 600 dpi x 600 dpi 5 bits Print Black-and-white/Color: 600 dpi x 600 dpi 5 bits, 1200 dpi x 1200 dpi 2 bits (3600 dpi (Equivalence) x 1200 dpi) (PostScript)
Acceptable originals		Sheets, books and 3-dimensional objects
Acceptable original size		Max. A3 or LD
Acceptable copy paper size	Drawer	A3, A4, A4-R, A5-R, B4, B5, B5-R, FOLIO, 305 mm x 457 mm, 320 mm x 450 mm, 320 mm x 460 mm, LD, LG, LT, LT-R, ST-R, COMP, 13"LG, 8.5"SQ, 12" x 18", 8K, 16K, 16K-R
	Bypass	Paper size within 100 - 297 mm (3.94" - 11.69") (Length), 148 - 432 mm (5.83" - 17.01") (Width) (For printing functions, within 148 - 1200 mm (5.83" - 47.24") (Width) *1) (For the Automatic duplexing unit: 100 - 297 mm (3.94" - 11.69") (Length), 148 - 432 mm (5.83" - 17") (Width))
Acceptable copy paper weight	Drawer	60 - 256 g/m ² (16 lb. Bond - 80 lb. Cover (140 lb. Index))
	Bypass	Single paper feed: 52 - 280 g/m ² (14 lb. Bond - 100 lb. Cover (150 lb. Index)) Continuous paper feed: 60 - 280 g/m ² (16 lb. Bond - 100 lb. Cover (150 lb. Index)) For the Automatic duplexing unit: 60 - 256 g/m ² (16 lb. Bond - 80 lb. Cover (140 lb. Index))
Warm-up time *2		Approx. 20 seconds (Temperature 20 °C (68 °F))
Recovery time (from the sleep mode) *2		12 seconds or less
First copy time (A4 or LT portrait)	Black-and-white	e-STUDIO2505AC/3005AC/3505AC: 5.9 seconds or less e-STUDIO4505AC/5005AC: 4.4 seconds or less
	Color *2	e-STUDIO2505AC/3005AC/3505AC: 7.8 seconds or less e-STUDIO4505AC/5005AC: 5.7 seconds or less
Continuous copy speed		 P.35 "Continuous copy speed"
Multiple copying		Up to 999 sheets (digital key entry)

Excluded image width *3	Black-and-white	Leading edge: 4.2 mm (+ 2.8 mm, - 1.2 mm) (0.17" (+ 0.11", - 0.05")), Trailing edge: 3.0 mm (± 2.0 mm) (0.12" (± 0.08")), Both edges: 2.0 mm (± 2.0 mm) (0.08" (± 0.08"))
	Color	Leading edge: 5.0 mm (± 2.0 mm) (0.20" (± 0.08")), Trailing edge: 3.0 mm (± 2.0 mm) (0.12" (± 0.08")), Both edges: 2.0 mm (± 2.0 mm) (0.08" (± 0.08"))
	Printer (Black-and-white/Color)	Leading edge: 4.2 mm (+ 2.8 mm, - 1.2 mm) (0.17" (+ 0.11", - 0.05")), Trailing edge: 4.2 mm (+1.2 mm, - 2.8 mm) (0.17" (+ 0.05", - 0.11")), Both edges: 4.2 mm (± 2.0 mm) (0.17" (± 0.08"))
Reproduction ratio	Actual size	100±0.5%
	Zoom	25 - 400% (in 1% increments) For the RADF 25 - 200% (in 1% increments) For the DSDf 25 - 200% (in 1% increments)
Paper supply	Drawer	Approx. 550 sheets (80 g/m ² , 20 lb. Bond)
	Bypass	Approx. 100 sheets (80 g/m ² , 20 lb. Bond)
Exit tray loading capacity		Approx. 400 sheets (80 g/m ² , 20 lb. Bond)
Toner density adjustment		Magnetic auto-toner system + Pixel count system
Exposure control		Automatic plus manual selection from 11 exposure step
USB interface		USB 2.0 (Hi-Speed)
Environment (for normal use)		Temperature: 10 - 30 °C (50 - 86 °F), Humidity: 20 - 85% (No Condensation)
Power requirements and Power consumption (including optional equipments)		AC 220-240 V±10%, 8 A (50/60 Hz): 2.0 kW or less AC 120 V±10%, 12 A (50/60 Hz): 1.5 kW or less
Dimensions (equipment only)		585 mm (23") (W) x 640 mm (25.2") (D) x 787 mm (31") (H) (At 90 degrees of the control panel angle) 585 mm (23") (W) x 761 mm (30") (D) x 787 mm (31") (H) (At 7 degrees of the control panel angle)
Weight		Approx. less than 78.1 kg (172.2 lb.) (equipment including developer and drum)
Space occupied (equipment only)		968 mm (38.1") (W) x 807 mm (31.8") (D) (At 7 degrees of the control panel angle)
Storage capacity		Max. 1000 sheets or until the memory is full (Toshiba's own chart)

*1 Sheets of paper longer than 433 mm (17.05") are printed in 300 dpi resolution.

*2 This specification varies depending on the use conditions and the use environment.

*3 When the paper size is A3/LD or smaller.

- Specifications and appearance are subject to change without notice in the interest of product improvement.

■ Continuous copy speed

□ e-STUDIO2505AC

Paper size	Feeder	Paper type									
		Plain/ Recycled Paper/Thick		Thick 1		Thick 2		Thick 3		Thick 4	
		B&W	Color *1	B&W	Color *1	B&W	Color *1	B&W	Color *1	B&W	Color *1
A4, A5-R, B5, LT, ST-R, 8.5"SQ	Drawer	25	25	17.5	17.5	17.5	17.5	17.5	17.5	—	—
	Bypass tray	25	25	17.5	17.5	17.5	17.5	17.5	17.5	17.5	17.5
A6-R	Bypass tray	25	25	—	—	—	—	—	—	—	—
A4-R, B5-R, LT-R	Drawer	20	20	12.5	12.5	12.5	12.5	12.5	12.5	—	—
	Bypass tray	20	20	12.5	12.5	12.5	12.5	12.5	12.5	12.5	12.5
B4, FOLIO, LG, COMP, 13"LG	Drawer	17	17	10	10	10	10	10	10	—	—
	Bypass tray	17	17	10	10	10	10	10	10	10	10
A3, LD	Drawer	15	15	8.5	8.5	8.5	8.5	8.5	8.5	—	—
	Bypass tray	15	15	8.5	8.5	8.5	8.5	8.5	8.5	8.5	8.5
305 mm x 457 mm, 320 mm x 450 mm	Drawer *2	—	—	8	8	8	8	8	8	8	8
	Bypass tray	14	14	8	8	8	8	8	8	8	8

□ e-STUDIO3005AC

Paper size	Feeder	Paper type									
		Plain/ Recycled Paper/Thick		Thick 1		Thick 2		Thick 3		Thick 4	
		B&W	Color *1	B&W	Color *1	B&W	Color *1	B&W	Color *1	B&W	Color *1
A4, A5-R, B5, LT, ST-R, 8.5"SQ	Drawer	30	30	17.5	17.5	17.5	17.5	17.5	17.5	17.5	17.5
	Bypass tray	30	30	17.5	17.5	17.5	17.5	17.5	17.5	17.5	17.5
A6-R	Bypass tray	30	30	—	—	—	—	—	—	—	—
A4-R, B5-R, LT-R	Drawer	23	23	12.5	12.5	12.5	12.5	12.5	12.5	12.5	12.5
	Bypass tray	23	23	12.5	12.5	12.5	12.5	12.5	12.5	12.5	12.5
B4, FOLIO, LG, COMP, 13"LG	Drawer	19	19	10	10	10	10	10	10	10	10
	Bypass tray	19	19	10	10	10	10	10	10	10	10
A3, LD	Drawer	16	16	8.5	8.5	8.5	8.5	8.5	8.5	8.5	8.5
	Bypass tray	16	16	8.5	8.5	8.5	8.5	8.5	8.5	8.5	8.5
305 mm x 457 mm, 320 mm x 450 mm	Drawer *2	—	—	8	8	8	8	8	8	8	8
	Bypass tray	15	15	8	8	8	8	8	8	8	8

□ e-STUDIO3505AC

Paper size	Feeder	Paper type									
		Plain/ Recycled Paper/Thick		Thick 1		Thick 2		Thick 3		Thick 4	
		B&W	Color *1	B&W	Color *1	B&W	Color *1	B&W	Color *1	B&W	Color *1
A4, A5-R, B5, LT, ST-R, 8.5"SQ	Drawer	35	35	17.5	17.5	17.5	17.5	17.5	17.5	17.5	17.5
	Bypass tray	35	35	17.5	17.5	17.5	17.5	17.5	17.5	17.5	17.5
A6-R	Bypass tray	35	35	—	—	—	—	—	—	—	—
A4-R, B5-R, LT-R	Drawer	25	25	12.5	12.5	12.5	12.5	12.5	12.5	12.5	12.5
	Bypass tray	25	25	12.5	12.5	12.5	12.5	12.5	12.5	12.5	12.5
B4, FOLIO, LG, COMP, 13"LG	Drawer	21	21	10	10	10	10	10	10	10	10
	Bypass tray	21	21	10	10	10	10	10	10	10	10
A3, LD	Drawer	18	18	8.5	8.5	8.5	8.5	8.5	8.5	8.5	8.5
	Bypass tray	18	18	8.5	8.5	8.5	8.5	8.5	8.5	8.5	8.5
305 mm x 457 mm, 320 mm x 450 mm	Drawer *2	—	—	8	8	8	8	8	8	8	8
	Bypass tray	17	17	8	8	8	8	8	8	8	8

□ e-STUDIO4505AC

Paper size	Feeder	Paper type									
		Plain/ Recycled Paper/Thick		Thick 1		Thick 2		Thick 3		Thick 4	
		B&W	Color *1	B&W	Color *1	B&W	Color *1	B&W	Color *1	B&W	Color *1
A4, A5-R, B5, LT, ST-R, 8.5"SQ	Drawer	45	45	17.5	17.5	17.5	17.5	17.5	17.5	17.5	17.5
	Bypass tray	45	45	17.5	17.5	17.5	17.5	17.5	17.5	17.5	17.5
A6-R	Bypass tray	13	13	—	—	—	—	—	—	—	—
A4-R, B5-R, LT-R	Drawer	32	32	12.5	12.5	12.5	12.5	12.5	12.5	12.5	12.5
	Bypass tray	32	32	12.5	12.5	12.5	12.5	12.5	12.5	12.5	12.5
B4, FOLIO, LG, COMP, 13"LG	Drawer	26	26	10	10	10	10	10	10	10	10
	Bypass tray	26	26	10	10	10	10	10	10	10	10
A3, LD	Drawer	22	22	8.5	8.5	8.5	8.5	8.5	8.5	8.5	8.5
	Bypass tray	22	22	8.5	8.5	8.5	8.5	8.5	8.5	8.5	8.5
305 mm x 457 mm, 320 mm x 450 mm	Drawer *2	—	—	8	8	8	8	8	8	8	8
	Bypass tray	22	22	8	8	8	8	8	8	8	8

□ e-STUDIO5005AC


Paper size	Feeder	Paper type									
		Plain/ Recycled Paper/Thick		Thick 1		Thick 2		Thick 3		Thick 4	
		B&W	Color *1	B&W	Color *1	B&W	Color *1	B&W	Color *1	B&W	Color *1
A4, A5-R, B5, LT, ST-R, 8.5"SQ	Drawer	50	50	17.5	17.5	17.5	17.5	17.5	17.5	17.5	17.5
	Bypass tray	50	50	17.5	17.5	17.5	17.5	17.5	17.5	17.5	17.5
A6-R	Bypass tray	13	13	—	—	—	—	—	—	—	—
A4-R, B5-R, LT-R	Drawer	36	36	12.5	12.5	12.5	12.5	12.5	12.5	12.5	12.5
	Bypass tray	36	36	12.5	12.5	12.5	12.5	12.5	12.5	12.5	12.5
B4, FOLIO, LG, COMP, 13"LG	Drawer	29	29	10	10	10	10	10	10	10	10
	Bypass tray	29	29	10	10	10	10	10	10	10	10
A3, LD	Drawer	25	25	8.5	8.5	8.5	8.5	8.5	8.5	8.5	8.5
	Bypass tray	25	25	8.5	8.5	8.5	8.5	8.5	8.5	8.5	8.5
305 mm x 457 mm, 320 mm x 450 mm	Drawer *2	—	—	8	8	8	8	8	8	8	8
	Bypass tray	24	24	8	8	8	8	8	8	8	8

*1 Full Color, Twin Color, Mono Color, Image Smoothing

*2 2nd drawer only

- The bypass copying speed when the paper size is specified is as listed above.
- Printing may stop for 2 minutes or so at a low temperature to maintain its quality.
- TOSHIBA-recommended paper is used for the values of the specifications above.
- These specifications vary depending on the copying conditions and the environment.

e-STUDIO2008A/2508A/3008A/3508A/4508A/5008A

Model name		DP-2008A/2508A/3008A/3508A/4508A/5008A
Type		Desktop type
Original glass		Fixed
Printing (copying) system		Indirect electrophotographic method
Developing system		2-component magnetic brush developing
Fixing method		e-STUDIO2008A/2508A/3008A: Halogen lamp roller fusing (2 pieces) e-STUDIO3508A/4508A/5008A: Halogen lamp roller fusing (3 pieces)
Photosensor type		OPC
Original scanning system		Flat surface scanning system (When the RADF is installed: Fixed scanning system by feeding the original When the DSDF is installed: Coinstantaneous 2-sided (the front and back sides) scanning system)
Original scanning sensor		Linear CCD sensor
Scanning light source		LED
Resolution	Scanning	600 dpi x 600 dpi
	Writing	Copy 2400 dpi (Equivalence) x 600 dpi (Smoothing process) Print 600 dpi x 600 dpi 1 bit, 2400 dpi (Equivalence) x 600 dpi (Smoothing process), 1200 dpi x 1200 dpi 2 bits (3600 dpi (Equivalence) x 1200 dpi) (PostScript)
Acceptable originals		Sheets, books and 3-dimensional objects
Acceptable original size		Max. A3 or LD
Acceptable copy paper size	Drawer	A3, A4, A4-R, A5-R, B4, B5, B5-R, FOLIO, LD, LG, LT, LT-R, ST-R, COMP, 13"LG, 8.5"SQ, 8K, 16K, 16K-R
	Bypass	Paper size within 100 - 297 mm (3.94" - 11.69") (Length), 148 - 432 mm (5.83" - 17.01") (Width)
Acceptable copy paper weight	Drawer	60 - 256 g/m ² (16 lb. Bond - 140 lb. Index)
	Bypass	Single paper feed: 52 - 256 g/m ² (14 lb. Bond - 140 lb. Index) Continuous paper feed: 60 - 256 g/m ² (16 lb. Bond - 140 lb. Index) For the Automatic duplexing unit: 60 - 256 g/m ² (16 lb. Bond - 140 lb. Index)
Warm-up time *1		Approx. 20 seconds (Temperature 20 °C (68 °F))
Recovery time (from the sleep mode) *1		e-STUDIO2008A/2508A/3008A: 14 seconds or less e-STUDIO3508A/4508A/5008A: 16 seconds or less
First copy time (A4 or LT portrait)		e-STUDIO2008A/2508A/3008A: 4.3 seconds or less e-STUDIO3508A/4508A/5008A: 3.6 seconds or less
Continuous copy speed		 P.41 "Continuous copy speed"
Multiple copying		Up to 999 sheets (digital key entry)
Excluded image width	Copy	Leading edge: 3.0 mm (+ 2.0 mm, - 1.0 mm) (0.12" (+ 0.08", - 0.04")), Trailing edge: 2.0 mm (± 2.0 mm) (0.08" (± 0.08")), Both edge: 2.0 mm (± 2.0 mm) (0.08" (± 0.08"))
	Printer	Leading edge: 4.2 mm (± 2.0 mm) (0.17" (± 0.08")), Trailing edge: 4.2 mm (± 2.0 mm) (0.17" (± 0.08")), Both edge: 4.2 mm (± 2.0 mm) (0.17" (± 0.08"))

Reproduction ratio	Actual size	100 ± 0.5%
	Zoom	25 - 400% (in 1% increments)
		For the RADF: 25 - 200% (in 1% increments) For the DSDF: 25 - 200% (in 1% increments)
Paper supply	Drawer	Approx. 550 sheets (80 g/m ² , 20 lb. Bond)
	Bypass	Approx. 100 sheets (80 g/m ² , 20 lb. Bond)
Exit tray loading capacity		Approx. 500 sheets (80 g/m ² , 20 lb. Bond)
Toner density adjustment		Magnetic auto-toner system
Exposure control		Automatic plus manual selection from 11 exposure step
USB interface		USB 2.0 (Hi-Speed)
Environment (for normal use)		Temperature: 10 - 30 °C (50 - 86 °F), Humidity: 20 - 85% (No Condensation)
Power requirements and Power consumption (including optional equipments)		AC 220-240 V±10%, 8 A (50/60 Hz): 1.5 kW or less AC 120 V±10%, 12 A (50/60 Hz): 1.5 kW or less
Dimensions (equipment only)		585 mm (23") (W) x 707 mm (27.8") (D) x 787 mm (31") (H) (At 7 degrees of the control panel angle)
Weight		e-STUDIO2008A/2508A/3008A: Approx. 55 kg (121.3 lb.) e-STUDIO3508A/4508A/5008A: Approx. 57.5 kg (126.8 lb.) (equipment including developer and drum)
Space occupied (equipment only)		948 mm (37") (W) x 585 mm (23") (D)
Storage capacity		Max. 1000 sheets or until the memory is full (Toshiba's own chart)

*1 This specification varies depending on the use conditions and the use environment.

- Specifications and appearance are subject to change without notice in the interest of product improvement.

■ Continuous copy speed

Copy speeds under the condition in which originals are placed on the original glass and single-side copies are made continuously with 100% reproduction ratio in the non-sort mode (unit: sheet/minute).

□ e-STUDIO2008A

Paper size	Feeder	Paper type				
		Plain/ Recycled Paper	Thick	Thick 1	Thick 2	Thick 3
		B&W	B&W	B&W	B&W	B&W
A4, A5-R, B5, LT, ST-R, 8.5"SQ	Drawer	20	20	20	20	20
	Bypass tray	20	20	20	20	20
A4-R, B5-R, LT-R	Drawer	16.9	16.9	16	16	16
	Bypass tray	16.9	16.9	16	16	16
B4, FOLIO, LG, COMP, 13"LG	Drawer	14.8	14.8	14	14	14
	Bypass tray	14.8	14.8	14	14	14
A3, LD	Drawer	13.2	13.2	12	12	12
	Bypass tray	13.2	13.2	12	12	12

❑ e-STUDIO2508A

Paper size	Feeder	Paper type				
		Plain/ Recycled Paper	Thick	Thick 1	Thick 2	Thick 3
		B&W	B&W	B&W	B&W	B&W
A4, A5-R, B5, LT, ST-R, 8.5"SQ	Drawer	25	25	25	25	24
	Bypass tray	25	25	25	25	24
A4-R, B5-R, LT-R	Drawer	23.3	22.5	22.5	20	17
	Bypass tray	23.3	22.5	22.5	20	17
B4, FOLIO, LG, COMP, 13"LG	Drawer	19.5	19	18	16	14
	Bypass tray	19.5	19	18	16	14
A3, LD	Drawer	16.8	16.4	16	14	12
	Bypass tray	16.8	16.4	16	14	12

❑ e-STUDIO3008A

Paper size	Feeder	Paper type				
		Plain/ Recycled Paper	Thick	Thick 1	Thick 2	Thick 3
		B&W	B&W	B&W	B&W	B&W
A4, A5-R, B5, LT, ST-R, 8.5"SQ	Drawer	30	29	29	28	24
	Bypass tray	30	29	29	28	24
A4-R, B5-R, LT-R	Drawer	23.3	22.5	22.5	20	17
	Bypass tray	23.3	22.5	22.5	20	17
B4, FOLIO, LG, COMP, 13"LG	Drawer	19.5	19	18	16	14
	Bypass tray	19.5	19	18	16	14
A3, LD	Drawer	16.8	16.4	16	14	12
	Bypass tray	16.8	16.4	16	14	12

□ e-STUDIO3508A

Paper size	Feeder	Paper type				
		Plain/ Recycled Paper	Thick	Thick 1	Thick 2	Thick 3
		B&W	B&W	B&W	B&W	B&W
A4, A5-R, B5, LT, ST-R, 8.5"SQ	Drawer	35	35	35	32	24
	Bypass tray	35	35	35	32	24
A4-R, B5-R, LT-R	Drawer	35	33.9	29	23	17
	Bypass tray	35	33.9	29	23	17
B4, FOLIO, LG, COMP, 13"LG	Drawer	29.5	28.7	23	18	14
	Bypass tray	29.5	28.7	23	18	14
A3, LD	Drawer	25.4	24.8	20	16	12
	Bypass tray	25.4	24.8	20	16	12


□ e-STUDIO4508A

Paper size	Feeder	Paper type				
		Plain/ Recycled Paper	Thick	Thick 1	Thick 2	Thick 3
		B&W	B&W	B&W	B&W	B&W
A4, A5-R, B5, LT, ST-R, 8.5"SQ	Drawer	45	43.4	40	32	24
	Bypass tray	45	43.4	40	32	24
A4-R, B5-R, LT-R	Drawer	35	33.9	29	23	17
	Bypass tray	35	33.9	29	23	17
B4, FOLIO, LG, COMP, 13"LG	Drawer	29.5	28.7	23	18	14
	Bypass tray	29.5	28.7	23	18	14
A3, LD	Drawer	25.4	24.8	20	16	12
	Bypass tray	25.4	24.8	20	16	12

□ e-STUDIO5008A

Paper size	Feeder	Paper type				
		Plain/ Recycled Paper	Thick	Thick 1	Thick 2	Thick 3
		B&W	B&W	B&W	B&W	B&W
A4, B5, LT, A5-R, ST-R, 8.5"SQ	Drawer	50	43.4	40	32	24
	Bypass tray	50	43.4	40	32	24
A6-R	Bypass tray	30	—	—	—	—
A4-R, B5-R, LT-R	Drawer	35	33.9	29	23	17
	Bypass tray	35	33.9	29	23	17
B4, FOLIO, LG, COMP, 13"LG	Drawer	29.5	28.7	23	18	14
	Bypass tray	29.5	28.7	23	18	14
A3, LD	Drawer	25.4	24.8	20	16	12
	Bypass tray	25.4	24.8	20	16	12

- The bypass copying speed when the paper size is specified is as listed above.
- TOSHIBA-recommended paper is used for the values of the specifications above.
- These specifications vary depending on the copying conditions and the environment.

Model name		DP-3535/4535/5035
Type		Desktop type
Original glass		Fixed
Printing (copying) system		Indirect electrophotographic method
Developing system		2-component magnetic brush developing
Fixing method		Lamp belt fusing
Photosensor type		OPC
Original scanning system		Flat surface scanning system (When the RADF is installed: Fixed scanning system by feeding the original When the DSDF is installed: Coinstantaneous 2-sided (the front and back sides) scanning system)
Original scanning sensor		Linear CCD sensor
Scanning light source		LED
Resolution	Scanning	600 dpi x 600 dpi
	Writing	Copy 600 dpi x 600 dpi 1 bits, 2400 dpi (Equivalence) x 600 dpi (Smoothing process) Print 600 dpi x 600 dpi 5 bit, 1200 dpi x 1200 dpi 2 bits (3600 dpi (Equivalence) x 1200 dpi) (PostScript)
Acceptable originals		Sheets, books and 3-dimensional objects
Acceptable original size		Max. A3 or LD
Acceptable copy paper size	Drawer	A3, A4, A4-R, A5-R, B4, B5, B5-R, FOLIO, LD, LG, LT, LT-R, ST-R, COMP, 13"LG, 8.5"SQ, 8K, 16K, 16K-R
	Bypass	Paper size within 100 - 297 mm (3.94" - 11.69") (Length), 148 - 432 mm (5.83" - 17.01") (Width)
Acceptable copy paper weight	Drawer	Black and white: 60 - 256 g/m ² (16 lb. Bond - 140 lb. Index) Erasable blue: 64 - 80 g/m ² (17 - 20 lb. Bond)
	Bypass	Black and white: 60 - 256 g/m ² (16 lb. Bond - 140 lb. Index) Erasable blue: 64 - 80 g/m ² (17 - 20 lb. Bond)
Warm-up time *1		e-STUDIO3508LP: Approx. 37 seconds e-STUDIO4508LP/5008LP: Approx. 41 seconds (Temperature 20 °C (68 °F))
Recovery time (from the sleep mode) *1		e-STUDIO3508LP: Approx. 22 seconds e-STUDIO4508LP/5008LP: Approx. 26 seconds
First copy time (A4 or LT portrait)		e-STUDIO3508LP (Black and white): 5.9 seconds e-STUDIO3508LP (Erasable blue): 7.8 seconds e-STUDIO4508LP/5008LP (Black and white): 4.4 seconds e-STUDIO4508LP/5008LP (Erasable blue): 7.8 seconds
Continuous copy speed		 P.47 "Continuous copy speed"
Multiple copying		Up to 999 sheets (digital key entry)

Excluded image width	Copy (Black and white)	Leading edge: 4.2 mm (+ 2.8 mm, - 1.2 mm) (0.28" (+ 0.11", - 0.05")), Trailing edge: 3.0 mm (\pm 2.0 mm) (0.12" (\pm 0.08")), Both edge: 2.0 mm (\pm 2.0 mm) (0.08" (\pm 0.08"))
	Copy (Erasable blue)	Leading edge: 4.2 mm (+ 2.8 mm, - 1.2 mm) (0.17" (+ 0.11", - 0.05")), Trailing edge: 4.2 mm (+ 2.8 mm, - 1.2 mm) (0.17" (+ 0.11", - 0.05")), Both edge: 4.2 mm (+ 2.8 mm, - 1.2 mm) (0.17" (+ 0.11", - 0.05"))
	Printer (Black and white)	Leading edge: 4.2 mm (+ 2.8 mm, - 1.2 mm) (0.17" (+ 0.11", - 0.05")), Trailing edge: 4.2 mm (+ 1.2 mm, - 2.8 mm) (0.17" (+ 0.05", - 0.11")), Both edge: 4.2 mm (\pm 2.0 mm) (0.17" (\pm 0.08"))
	Printer (Erasable blue)	Leading edge: 4.2 mm (+ 2.8 mm, - 1.2 mm) (0.17" (+ 0.11", - 0.05")), Trailing edge: 4.2 mm (+ 2.8 mm, - 1.2 mm) (0.17" (+ 0.11", - 0.05")), Both edge: 4.2 mm (+ 2.8 mm, - 1.2 mm) (0.17" (+ 0.11", - 0.05"))
Reproduction ratio	Actual size	100 \pm 0.5%
	Zoom	25 - 400% (in 1% increments) For the RADF: 25 - 200% (in 1% increments) For the DSDF: 25 - 200% (in 1% increments)
Paper supply	Drawer	Stack height 60.5 mm (2.38") or less, Approx. 550 sheets (Reused paper ^{*2} Stack height 52 mm (2.05") or less (Approx. 400 sheets)) (80 g/m ² , 20 lb. Bond)
	Bypass	Stack height 11 mm (0.43") or less, Approx. 100 sheets (Reused paper ^{*2} Stack height 5.5 mm (0.22") or less (Approx. 40 sheets)) (80 g/m ² , 20 lb. Bond)
Exit tray loading capacity		Approx. 400 sheets (80 g/m ² , 20 lb. Bond) (Reused paper ^{*2} Approx. 320 sheets)
Toner density adjustment		Magnetic auto-toner system + Pixel count system
Exposure control		Automatic plus manual selection from 11 exposure step
USB interface		USB 2.0 (Hi-Speed)
Environment (for normal use)		Temperature: 10 - 30 °C (50 - 86 °F), Humidity: 20 - 85% (No Condensation)
Power requirements and Power consumption (including optional equipments)		AC 220-240 V \pm 10%, 9 A (50/60 Hz): 2.0 kW or less AC 120 V \pm 10%, 12 A (50/60 Hz): 1.5 kW or less
Dimensions (equipment only)		585 mm (23") (W) x 640 mm (25.2") (D) x 787 mm (31") (H) (At 90 degrees of the control panel angle) 585 mm (23") (W) x 761 mm (30") (D) x 787 mm (31") (H) (At 7 degrees of the control panel angle)
Weight		Approx. 73 kg (161 lb.)(equipment including developer and drum)
Space occupied (equipment only)		968 mm (38.1") (W) x 807 mm (31.8") (D) (At 7 degrees of the control panel angle)
Storage capacity		Max. 1000 sheets or until the memory is full (Toshiba's own chart)

*1 This specification varies depending on the use conditions and the use environment.

*2 Paper printed by erasable blue toner of e-STUDIO5008LP Series and erased by e-STUDIO RD301.

- Specifications and appearance are subject to change without notice in the interest of product improvement.

■ Continuous copy speed

Copy speeds under the condition in which originals are placed on the original glass and single-side copies are made continuously with 100% reproduction ratio in the non-sort mode (unit: sheet/minute).

□ e-STUDIO3508LP

Paper size	Feeder	Paper type		
		Plain		Thick 1/Thick 2/Thick 3
		B&W	Erasable blue	B&W
A4, A5-R, B5, LT, ST-R, 8.5"SQ	Drawer	35	35	17.5
	Bypass tray	35	35	17.5
A4-R, B5-R, LT-R	Drawer	25	25	12.5
	Bypass tray	25	25	12.5
B4, FOLIO, LG, COMP, 13"LG	Drawer	21	21	10
	Bypass tray	21	21	10
A3, LD	Drawer	18	18	8.5
	Bypass tray	18	18	8.5


□ e-STUDIO4508LP

Paper size	Feeder	Paper type		
		Plain		Thick 1/Thick 2/Thick 3
		B&W	Erasable blue	B&W
A4, A5-R, B5, LT, ST-R, 8.5"SQ	Drawer	45	35	17.5
	Bypass tray	45	35	17.5
A4-R, B5-R, LT-R	Drawer	32	25	12.5
	Bypass tray	32	25	12.5
B4, FOLIO, LG, COMP, 13"LG	Drawer	26	21	10
	Bypass tray	26	21	10
A3, LD	Drawer	22	18	8.5
	Bypass tray	22	18	8.5

□ e-STUDIO5008LP

Paper size	Feeder	Paper type		
		Plain		Thick 1/Thick 2/Thick 3
		B&W	Erasable blue	B&W
A4, A5-R, B5, LT, ST-R, 8.5"SQ	Drawer	50	35	17.5
	Bypass tray	50	35	17.5
A4-R, B5-R, LT-R	Drawer	36	25	12.5
	Bypass tray	36	25	12.5
B4, FOLIO, LG, COMP, 13"LG	Drawer	29	21	10
	Bypass tray	29	21	10
A3, LD	Drawer	25	18	8.5
	Bypass tray	25	18	8.5

- The bypass copying speed when the paper size is specified is as listed above.
- TOSHIBA-recommended paper is used for the values of the specifications above.
- These specifications vary depending on the copying conditions and the environment.

Model name		FC-5506AC/6506AC/7506AC
Type		Console type
Original glass		Fixed
Printing (copying) system		Indirect electrophotographic method
Developing system		2-component magnetic brush developing
Fixing method		External IH belt fusing
Photosensor type		OPC
Original scanning system		Flat surface scanning system When the DSDF is installed: Coinstantaneous 2-sided (the front and back sides) scanning system
Original scanning sensor		Linear CCD sensor
Scanning light source		LED
Resolution	Scanning	600 dpi x 600 dpi
	Writing	Copy Black-and-white: 600 dpi x 600 dpi 5 bits, 2400 dpi (Equivalence) x 600 dpi (Smoothing process) Color: 600 dpi x 600 dpi 5 bits Print Black-and-white/Color: 600 dpi x 600 dpi 5 bits, 1200 dpi x 1200 dpi 2 bits (3600 dpi (Equivalence) x 1200 dpi) (PostScript)
Acceptable originals		Sheets, books and 3-dimensional objects
Acceptable original size		Max. A3 or LD
Acceptable copy paper size	Drawer	A3, A4, A4-R, A5-R, B4, B5, B5-R, FOLIO, 305 mm x 457 mm, 320 mm x 450 mm, 320 mm x 460 mm, LD, LG, LT, LT-R, ST-R, COMP, 13"LG, 8.5"SQ, 12" x 18", 8K, 16K, 16K-R
	Bypass	Paper size within 100 - 297 mm (3.94" - 11.69") (Length), 148 - 432 mm (5.83" - 17.01") (Width) (For printing functions, within 148 - 1200 mm (5.83" - 47.24") (Length) *1) (For the Automatic duplexing unit: 100 - 297 mm (3.94" - 11.69") (Width), 148 - 432 mm (5.83" - 17") (Width))
Acceptable copy paper weight	Drawer	60 - 256 g/m ² (16 lb. Bond - 140 lb. Index)
	Bypass	Continuous paper feed/Single paper feed: 60 - 300 g/m ² (16 lb. Bond - 110 lb. Cover) For the Automatic duplexing unit: 60 - 256 g/m ² (16 lb. Bond - 80 lb. Cover (140 lb. Index))
Warm-up time *2		Approx. 20 seconds (Temperature 20 °C (68 °F))
Recovery time (from the sleep mode) *2		Approx. 15 seconds
First copy time (A4 or LT portrait)	Black-and white	e-STUDIO5506AC: 5.2 seconds or less e-STUDIO6506AC: 4.5 seconds or less e-STUDIO7506AC: 4.1 seconds or less
	Color *2	e-STUDIO5506AC: 6.4 seconds or less e-STUDIO6506AC: 6.4 seconds or less e-STUDIO7506AC: 5.4 seconds or less
Continuous copy speed		 P.51 "Continuous copy speed"
Multiple copying		Up to 9999 sheets (digital key entry)

Excluded image width *3	Black-and white	Leading edge: 4.2 mm (+ 2.8 mm, - 1.2 mm) (0.17" (+ 0.11", - 0.05")), Trailing edge: 3.0 mm (± 2.0 mm) (0.12" (± 0.08")), Both edges: 2.0 mm (± 2.0 mm) (0.08" (± 0.08"))
	Color	Leading edge: 5.0 mm (± 2.0 mm) (0.20" (± 0.08")), Trailing edge: 3.0 mm (± 2.0 mm) (0.12" (± 0.08")), Both edges: 2.0 mm (± 2.0 mm) (0.08" (± 0.08"))
	Printer (Black-and white/ Color)	Leading edge: 4.2 mm (+ 2.8 mm, - 1.2 mm) (0.17" (+ 0.11", - 0.05")), Trailing edge: 4.2 mm (+ 1.2 mm, - 2.8 mm) (0.17" (+ 0.05", - 0.11")), Both edges: 4.2 mm (± 2.0 mm) (0.17" (± 0.08"))
Reproduction ratio	Actual size	100 ± 0.5%
	Zoom	25 - 400% (in 1% increments) For the DSDf 25 - 200% (in 1% increments)
Paper supply	Drawer	Approx. 550 sheets (80 g/m ² , 20 lb. Bond)
	Tandem LCF	Approx. 2500 sheets (80 g/m ² , 20 lb. Bond)
	Bypass	Approx. 120 sheets (80 g/m ² , 20 lb. Bond)
Exit tray loading capacity		Approx. 100 sheets (80 g/m ² , 20 lb. Bond)
Toner density adjustment		Magnetic auto-toner system + Pixel count system
Exposure control		Automatic plus manual selection from 11 exposure step
USB interface		USB2.0 (Hi-Speed)
Environment (for normal use)		Temperature: 10 - 30 °C (50 - 86 °F), Humidity: 20 - 85% (No Condensation)
Power requirements and Power consumption (including optional equipments)		AC 120 V ±10%, 16 A (50/60 Hz) AC 220-240 V ±10%, 10 A (50/60 Hz) e-STUDIO5506AC/6506AC/7506AC (AC 120 V): 2.0 kW or less e-STUDIO5506AC/6506AC/7506AC (AC 220-240 V): 2.4 kW or less
Dimensions (equipment only)		955 mm (37.6") (W) x 698 mm (27.5") (D) x 1227 mm (48.3") (H) (At 90 degrees of the control panel angle) 955 mm (37.6") (W) x 733.5 mm (28.9") (D) x 1227 mm (48.3") (H) (At 7 degrees of the control panel angle)
Weight		Approx. 213 kg (469.6 lb.) (equipment including developer and drum)
Space occupied (equipment only)		1533 mm (60.4")(W) x 778 mm (30.6") (D)
Storage capacity		Max. 1000 sheets or until the memory is full (Toshiba's own chart)

*1 Sheets of paper longer than 461 mm (18.15") are printed in 300 dpi resolution.

*2 This specification varies depending on the use conditions and the use environment.

*3 When the paper size is A3/LD or smaller.

- Specifications and appearance are subject to change without notice in the interest of product improvement.

■ Continuous copy speed

Copy speeds under the condition in which originals are placed on the original glass and single-side copies are made continuously with 100% reproduction ratio in the non-sort mode (unit: sheet/minute).

□ e-STUDIO5506AC

Paper size	Feeder	Paper type									
		Plain/ Recycled Paper/Thick		Thick 1		Thick 2		Thick 3		Thick 4	
		B&W	Color *1	B&W	Color *1	B&W	Color *1	B&W	Color *1	B&W	Color *1
A4, LT, B5, A5-R, ST-R, 8.5"SQ	Drawer	55	55	32	32	32	32	32	21	32	21
	Bypass tray	48	46	26	26	26	26	26	17	26	17
A4-R, B5-R, LT-R	Drawer	46	38	23	23	23	23	23	15	23	15
	Bypass tray	36	35	20	20	20	20	20	13	20	13
B4, FOLIO, LG, COMP, 13"LG	Drawer	31	29	15.5	15.5	15.5	15.5	15.5	10.5	15.5	10.5
	Bypass tray	28	24	13	13	13	13	13	9.5	13	9.5
A3, LD	Drawer	30	27	13.5	13.5	13.5	13.5	13.5	9	13.5	9
	Bypass tray	25	24	11	11	11	11	11	8	11	8
305 mm x 457 mm, 320 mm x 450 mm, 320 mm x 460 mm, 330 mm x 483 mm *2	Drawer	27	25	12	12	12	12	12	8	12	8
	Bypass tray	21	20	9	9	9	9	9	6	9	6

□ e-STUDIO6506AC

Paper size	Feeder	Paper type									
		Plain/ Recycled Paper/Thick		Thick 1		Thick 2		Thick 3		Thick 4	
		B&W	Color *1	B&W	Color *1	B&W	Color *1	B&W	Color *1	B&W	Color *1
A4, LT, B5, A5-R, ST-R, 8.5"SQ	Drawer	75	65	32	32	32	32	32	21	32	21
	Bypass tray	52	48	26	26	26	26	26	17	26	17
A4-R, B5-R, LT-R	Drawer	54	46	23	23	23	23	23	15	23	15
	Bypass tray	38	36	20	20	20	20	20	13	20	13
B4, FOLIO, LG, COMP, 13"LG	Drawer	39	31	15.5	15.5	15.5	15.5	15.5	10.5	15.5	10.5
	Bypass tray	30	28	13	13	13	13	13	9.5	13	9.5
A3, LD	Drawer	37	30	13.5	13.5	13.5	13.5	13.5	9	13.5	9
	Bypass tray	27	25	11	11	11	11	11	8	11	8
305 mm x 457 mm, 320 mm x 450 mm, 320 mm x 460 mm, 330 mm x 483 mm *2	Drawer	31	27	12	12	12	12	12	8	12	8
	Bypass tray	23	21	9	9	9	9	9	6	9	6

□ e-STUDIO7506AC


Paper size	Feeder	Paper type							
		Plain/Recycled Paper		Thick		Thick1/Thick 2		Thick3/Thick 4	
		B&W	Color ^{*1}	B&W	Color ^{*1}	B&W	Color ^{*1}	B&W	Color ^{*1}
A4, LT	Drawer	85	75	85	65	32	32	32	21
	Bypass tray	56	52	56	48	26	26	26	17
B5, A5-R, ST-R, 8.5"SQ	Drawer	85	75	75	65	32	32	32	21
	Bypass tray	56	52	52	48	26	26	26	17
A4-R, B5-R, LT-R	Drawer	61	54	54	46	23	23	23	15
	Bypass tray	42	38	38	36	20	20	20	13
B4, FOLIO, LG, COMP, 13"LG	Drawer	46	39	39	31	15.5	15.5	15.5	10.5
	Bypass tray	38	30	30	28	13	13	13	9.5
A3, LD	Drawer	40	37	40	30	13.5	13.5	13.5	9
	Bypass tray	34	27	34	25	11	11	11	8
305 mm x 457 mm, 320 mm x 450 mm, 320 mm x 460 mm, 330 mm x 483 mm ^{*2}	Drawer	33	31	33	27	12	12	12	8
	Bypass tray	30	23	30	21	9	9	9	6

*1 Full Color, Twin Color, Mono Color, Image Smoothing

*2 330 mm x 483 mm sized paper can be set on the bypass tray only.

- The bypass copying speed when the paper size is specified is as listed above.
- TOSHIBA-recommended paper is used for the values of the specifications above.
- These specifications vary depending on the copying conditions and the environment.

e-STUDIO5508A/6508A/7508A/8508A

Model name		FC-5508A/6508A/7508A/8508A
Type		Console type
Original glass		Fixed
Printing (copying) system		Indirect electrophotographic method
Developing system		2-component magnetic brush developing
Fixing method		External IH belt fusing
Photosensor type		OPC
Original scanning system		Flat surface scanning system
		When the DSDF is installed: Coinstantaneous 2-sided (the front and back sides) scanning system
Original scanning sensor		Linear CCD sensor
Scanning light source		LED
Resolution	Scanning	600 dpi x 600 dpi
	Writing	Copy 2400 dpi (Equivalence) x 600 dpi (Smoothing process) Print 600 dpi x 600 dpi 1 bit, 2400 dpi (Equivalence) x 600 dpi (Smoothing process), 1200 dpi x 1200 dpi 2 bits (3600 dpi (Equivalence) x 1200 dpi) (PostScript)
Acceptable originals		Sheets, books and 3-dimensional objects
Acceptable original size		Max. A3
Acceptable copy paper size	Drawer	A3, A4, A4-R, A5-R, B4, B5, B5-R, FOLIO, 305 mm x 457 mm, 320 mm x 450 mm, 320 x 460 mm, LD, LG, LT, LT-R, ST-R, COMP, 13"LG, 8.5"SQ, 12" x 18", 8K, 16K, 16K-R
	Bypass	Paper size within 100 - 297 mm(3.94" - 11.69") (Length), 148 - 432 mm (5.83" - 17.01") (Width) (For printing functions, within 148 - 1200 mm (5.83" - 47.24") (Width)) (For the Automatic duplexing unit: 100 - 297 mm (3.94" - 11.69") (Length), 148 - 432 mm (5.83" - 17") (Width))
Acceptable copy paper weight	Drawer	60 - 256 g/m ² (16 lb. Bond - 140 lb. Index)
	Bypass	Continuous paper feed/Single paper feed: 60 - 300 g/m ² (16 lb. Bond - 110 lb. Cover) For the Automatic duplexing unit: 60 - 256 g/m ² (16 lb. Bond - 80 lb. Cover (140 lb. Index))
Warm-up time *1		e-STUDIO5508A/6508A: Approx. 24 seconds (Temperature 20 °C (68 °F)) e-STUDIO7508A/8508A: Approx. 20 seconds (Temperature 20 °C (68 °F))
Recovery time (from the sleep mode) *1		Approx. 15 seconds
First copy time (A4 or LT portrait)		e-STUDIO5508A 5.2 seconds or less e-STUDIO6508A 5.2 seconds or less e-STUDIO7508A 4.5 seconds or less e-STUDIO8508A 4.1 seconds or less
Continuous copy speed		 P.56 "Continuous copy speed"
Multiple copying		Up to 9999 sheets (digital key entry)

Excluded image width *2	Copy	Leading edge: 4.2 mm (+ 2.8 mm, - 1.2 mm) (0.17" (+ 0.11", - 0.05")), Trailing edge: 3.0 mm (± 2.0 mm) (0.12" (± 0.08")), Both edges: 2.0 mm (± 2.0 mm) (0.08" (± 0.08"))
	Printer	Leading edge: 4.2 mm (+ 2.8 mm, - 1.2 mm) (0.17" (+ 0.11", - 0.05")), Trailing edge: 4.2 mm (+1.2 mm, - 2.8 mm) (0.17" (+ 0.05", - 0.11")), Both edges: 4.2 mm (± 2.0 mm) (0.17" (± 0.08"))
Reproduction ratio	Actual size	100 ± 0.5%
	Zoom	25 - 400% (in 1% increments) For the DSDf 25 - 200% (in 1% increments)
Paper supply	Drawer	Approx. 550 sheets (80 g/m ² , 20 lb. Bond)
	Tandem LCF	Approx. 2320 sheets (80 g/m ² , 20 lb. Bond)
	Bypass	Approx. 120 sheets (80 g/m ² , 20 lb. Bond)
Exit tray loading capacity		Approx. 100 sheets (80 g/m ² , 20 lb. Bond)
Toner density adjustment		Magnetic auto-toner system + Pixel count system
Exposure control		Automatic plus manual selection from 11 exposure step
USB interface		USB2.0 (Hi-Speed)
Environment (for normal use)		Temperature: 10 - 30 °C (50 - 86 °F), Humidity: 20 - 85% (No Condensation)
Power requirements and Power consumption (including optional equipments)		AC 120 V±10%, 16 A (50/60 Hz) AC 220-240 V±10%, 10 A (50/60 Hz) e-STUDIO6508A (AC 110 V): 1.65 kW or less e-STUDIO5508A/6508A/7508A/8508A (AC 120 V): 2.0 kW or less e-STUDIO5508A/6508A/7508A/8508A (AC 220-240 V): 2.4 kW or less
Dimensions (equipment only)		955 mm (37.6") (W) x 698 mm (27.5") (D) x 1227 mm (48.3") (H) (At 90 degrees of the control panel angle)
		955 mm (37.6") (W) x 733.5 mm (28.9") (D) x 1227 mm (48.3") (H) (At 7 degrees of the control panel angle)
Weight		Approx. 195 kg (429.9") (equipment including developer and drum)
Space occupied (equipment only)		1533 mm (60.4") (W) x 778 mm (30.6") (D)
Storage capacity		Max. 1000 sheets or until the memory is full (Toshiba's own chart)

*1 This specification varies depending on the use conditions and the use environment.

*2 When the paper size is A3/LD or smaller.

- Specifications and appearance are subject to change without notice in the interest of product improvement.

■ Continuous copy speed

Copy speeds under the condition in which originals are placed on the original glass and single-side copies are made continuously with 100% reproduction ratio in the non-sort mode (unit: sheet/minute).

□ e-STUDIO5508A

Paper size	Feeder	Paper type				
		Plain/ Recycled Paper/ Thick	Thick 1	Thick 2	Thick 3	Thick 4
A4, LT, B5, A5-R, ST-R, 8.5"SQ	Drawer	55	32	32	32	32
	Bypass tray	46	26	26	26	26
A4-R, B5-R, LT-R	Drawer	38	23	23	23	23
	Bypass tray	35	20	20	20	20
B4, FOLIO, LG, COMP, 13"LG	Drawer	29	15.5	15.5	15.5	15.5
	Bypass tray	27	13	13	13	13
A3, LD	Drawer	27	13.5	13.5	13.5	13.5
	Bypass tray	24	11	11	11	11
305 mm x 457 mm, 320 mm x 450 mm, 320 mm x 460 mm, 330 mm x 483 mm ^{*1}	Drawer	25	12	12	12	12
	Bypass tray	20	9	9	9	9

□ e-STUDIO6508A

Paper size	Feeder	Paper type				
		Plain/ Recycled Paper/ Thick	Thick 1	Thick 2	Thick 3	Thick 4
A4, LT, B5, A5-R, ST-R, 8.5"SQ	Drawer	65	32	32	32	32
	Bypass tray	48	26	26	26	26
A4-R, B5-R, LT-R	Drawer	46	23	23	23	23
	Bypass tray	36	20	20	20	20
B4, FOLIO, LG, COMP, 13"LG	Drawer	31	15.5	15.5	15.5	15.5
	Bypass tray	28	13	13	13	13
A3, LD	Drawer	30	13.5	13.5	13.5	13.5
	Bypass tray	25	11	11	11	11
305 mm x 457 mm, 320 mm x 450 mm, 320 mm x 460 mm, 330 mm x 483 mm ^{*1}	Drawer	27	12	12	12	12
	Bypass tray	21	9	9	9	9

□ e-STUDIO7508A

Paper size	Feeder	Paper type				
		Plain/ Recycled Paper/ Thick	Thick 1	Thick 2	Thick 3	Thick 4
A4, LT, B5, A5-R, ST-R, 8.5"SQ	Drawer	75	32	32	32	32
	Bypass tray	52	26	26	26	26
A4-R, B5-R, LT-R	Drawer	54	23	23	23	23
	Bypass tray	38	20	20	20	20
B4, FOLIO, LG, COMP, 13"LG	Drawer	39	15.5	15.5	15.5	15.5
	Bypass tray	30	13	13	13	13
A3, LD	Drawer	37	13.5	13.5	13.5	13.5
	Bypass tray	27	11	11	11	11
305 mm x 457 mm, 320 mm x 450 mm, 320 mm x 460 mm, 330 mm x 483 mm *1	Drawer	31	12	12	12	12
	Bypass tray	23	9	9	9	9

□ e-STUDIO8508A

Paper size	Feeder	Paper type			
		Plain/ Recycled Paper	Thick	Thick 1/ Thick 2	Thick 3/ Thick 4
A4, LT	Drawer	85	32	32	32
	Bypass tray	56	26	26	26
B5, A5-R, ST-R, 8.5"SQ	Drawer	85	75	32	32
	Bypass tray	56	52	26	26
A4-R, B5-R, LT-R	Drawer	61	54	23	23
	Bypass tray	42	38	20	20
B4, FOLIO, LG, COMP, 13"LG	Drawer	46	39	15.5	15.5
	Bypass tray	38	30	13	13
A3, LD	Drawer	40	40	13.5	13.5
	Bypass tray	34	34	11	11
305 mm x 457 mm, 320 mm x 450 mm, 320 mm x 460 mm, 330 mm x 483 mm *1	Drawer	33	33	12	12
	Bypass tray	30	30	9	9

*1 330 mm x 483 mm sized paper can be set on the bypass tray only.

- The bypass copying speed when the paper size is specified is as listed above.
- TOSHIBA-recommended paper is used for the values of the specifications above.
- These specifications vary depending on the copying conditions and the environment.

List of Internal Fonts

The following fonts are included in this equipment.

■ Internal PCL fonts list

0	Courier	42	Helvetica-Narrow-Bold
1	CG-Times	43	Helvetica-Narrow-Oblique
2	CG-Times Bold	44	Helvetica-Narrow-BoldOblique
3	CG-Times Italic	45	Palatino-Roman
4	CG-Times Bold Italic	46	Palatino-Bold
5	CG Omega	47	Palatino-Italic
6	CG Omega Bold	48	Palatino-BoldItalic
7	CG Omega Italic	49	ITC AvantGarde-Book
8	CG Omega Bold Italic	50	ITC AvantGarde-BookOblique
9	Coronet	51	ITC AvantGarde-Demi
10	Clarendon Condensed	52	ITC AvantGarde-DemiOblique
11	Univers Medium	53	ITC Bookman-Light
12	Univers Bold	54	ITC Bookman-LightItalic
13	Univers Italic	55	ITC Bookman-Demi
14	Univers Bold Italic	56	ITC Bookman-DemiItalic
15	Univers Medium Condensed	57	NewCenturySchlbk-Roman
16	Univers Condensed Bold	58	NewCenturySchlbk-Bold
17	Univers Medium Condensed Italic	59	NewCenturySchlbk-Italic
18	Univers Condensed Bold Italic	60	NewCenturySchlbk-BoldItalic
19	Antique Olive	61	Times-Roman
20	Antique Olive Bold	62	Times-Bold
21	Antique Olive Italic	63	Times-Italic
22	Garamond Antiqua	64	Times-BoldItalic
23	Garamond Halbfett	65	ITCZapfChancery-MediumItalic
24	Garamond Kursiv	66	Symbol
25	Garamond Kursiv Halbfett	67	Symbol PS
26	Mrigold	68	Wingdings
27	Albertus Medium	69	ITCZapfDingbats
28	Albertus Extra Bold	70	Courier Bold
29	Arial	71	Courier Italic
30	Arial Bold	72	Courier Bold Italic
31	Arial Italic	73	Letter Gothic Regular
32	Arial Bold Italic	74	Letter Gothic Bold
33	Times New Roman	75	Letter Gothic Italic
34	Times New Roman Bold	76	CourierPS
35	Times New Roman Italic	77	CourierPS Oblique
36	Times New Roman Bold Italic	78	CourierPS Bold

37	Helvetica	79	CourierPS BoldOblique
38	Helvetica-Bold		AndaleMonoWTJ * ¹
39	Helvetica-Oblique		AndaleMonoWTK * ¹
40	Helvetica-BoldOblique		AndaleMonoWTT * ¹
41	Helvetica-Narrow		AndaleMonoWTS * ¹

*1 These fonts can be added when the optional Unicode Font Enabler is installed.

■ Internal PS fonts list

AlbertusMT-Light	Eurostile-ExtendedTwo
AlbertusMT	Eurostile-BoldExtendedTwo
AlbertusMT-Italic	Geneva
AntiqueOlive-Roman	GillSans-Light
AntiqueOlive-Italic	GillSans-LightItalic
AntiqueOlive-Bold	GillSans
AntiqueOlive-Compact	GillSans-Italic
Apple-Chancery	GillSans-Bold
ArialMT	GillSans-BoldItalic
Arial-ItalicMT	GillSans-ExtraBold
Arial-BoldMT	GillSans-BoldCondensed
Arial-BoldItalicMT	GillSans-Condensed
AvantGarde-Book	Goudy
AvantGarde-BookOblique	Goudy-Italic
AvantGarde-Demi	Goudy-Bold
AvantGarde-DemiOblique	Goudy-BoldItalic
Bodoni	Goudy-ExtraBold
Bodoni-Italic	Helvetica
Bodoni-Bold	Helvetica-Oblique
Bodoni-BoldItalic	Helvetica-Bold
Bodoni-Poster	Helvetica-BoldOblique
Bodoni-PosterCompressed	Helvetica-Condensed
Bookman-Light	Helvetica-Condensed-Oblique
Bookman-LightItalic	Helvetica-Condensed-Bold
Bookman-Demi	Helvetica-Condensed-BoldObl
Bookman-Demitalic	Helvetica-Narrow
Candid	Helvetica-Narrow-Oblique
Chicago	Helvetica-Narrow-Bold
Clarendon-Light	Helvetica-Narrow-BoldOblique
Clarendon	HoeflerText-Regular
Clarendon-Bold	HoeflerText-Italic
CooperBlack	HoeflerText-Black

CooperBlack-Italic	HoeflerText-BlackItalic
Copperplate-ThirtyTwoBC	HoeflerText-Ornaments
Copperplate-ThirtyThreeBC	JoannaMT
Coronet-Regular	JoannaMT-Italic
Courier	JoannaMT-Bold
Courier-Oblique	JoannaMT-BoldItalic
Courier-Bold	LetterGothic
Courier-BoldOblique	LetterGothic-Slanted
Eurostile	LetterGothic-Bold
Eurostile-Bold	LetterGothic-BoldSlanted
LubalinGraph-Book	Univers-CondensedBold
LubalinGraph-BookOblique	Univers-CondensedBoldOblique
LubalinGraph-Demi	Univers-Extended
LubalinGraph-DemiOblique	Univers-ExtendedObl
Marigold	Univers-BoldExt
Monaco	Univers-BoldExtObl
MonaLisa-Recut	Wingdings-Regular
NewCenturySchlbk-Roman	ZapfChancery-MediumItalic
NewCenturySchlbk-Italic	ZapfDingbats
NewCenturySchlbk-Bold	IPAexGothic
NewCenturySchlbk-BoldItalic	IPAexMincho
NewYork	
Optima	
Optima-Italic	
Optima-Bold	
Optima-BoldItalic	
Oxford	
Palatino-Roman	
Palatino-Italic	
Palatino-Bold	
Palatino-BoldItalic	
StempelGaramond-Roman	
StempelGaramond-Italic	
StempelGaramond-Bold	
StempelGaramond-BoldItalic	
Symbol	
Taffy	
Times-Roman	
Times-Italic	
Times-Bold	

Times-BoldItalic	
TimesNewRomanPSMT	
TimesNewRomanPS-ItalicMT	
TimesNewRomanPS-BoldMT	
TimesNewRomanPS-BoldItalicMT	
Univers-Light	
Univers-LightOblique	
Univers	
Univers-Oblique	
Univers-Bold	
Univers-BoldOblique	
Univers-Condensed	
Univers-CondensedOblique	

Template

The numbers of the groups which can be created and the templates which can be registered in each group differ depending on the model in use.

Model	The numbers of the groups		The numbers of the templates which can be registered in each group
	Public Template Group	Private Groups *1	
e-STUDIO5005AC Series	1	200	60
e-STUDIO5008A Series	1	200	60
e-STUDIO7506AC Series	1	200	60
e-STUDIO8508A Series	1	200	60
e-STUDIO5008LP Series	1	200	60

*1 "Useful Templates" are registered under the group 001 by default.

SPECIFICATIONS OF OPTIONS

Outlines of Options	64
Option.....	64
Finishing modes and optional finishing devices	67
Document feed	70
Reversing Automatic Document Feeder	70
Dual Scan Document Feeder	70
Paper feed	71
Paper Feed Pedestal and Additional Drawer Module	71
Paper Feed Unit	71
Envelope Drawer.....	72
Large Capacity Feeder	72
External Large Capacity Feeder	72
Exit Options	73
Job Separator	73
Bridge Unit	73
Finisher (for e-STUDIO5005AC Series/e-STUDIO5008A Series/e-STUDIO5008LP Series).....	74
Finisher (for e-STUDIO7506AC Series and e-STUDIO8508A Series)	76
Saddle Stitch Finisher (for e-STUDIO5005AC Series/e-STUDIO5008A Series/e-STUDIO5008LP Series)	79
Saddle Stitch Finisher (for e-STUDIO7506AC Series and e-STUDIO8508A Series).....	82
Inner Finisher (for e-STUDIO5005AC Series/e-STUDIO5008A Series/e-STUDIO5008LP Series)	85
Hole Punch Unit MJ-6011 Series (for e-STUDIO5005AC Series / e-STUDIO5008A Series / e-STUDIO5008LP Series)	87
Hole Punch Unit MJ-6105 Series (for e-STUDIO5005AC Series / e-STUDIO5008A Series / e-STUDIO5008LP Series)	88
Hole Punch Unit MJ-6106 Series (for e-STUDIO7506AC Series and e-STUDIO8508A Series)	89
System Options	90
FAX Unit	90
Wireless LAN and Bluetooth units.....	91

Outlines of Options

■ Option

□ e-STUDIO5005AC Series/e-STUDIO5008A Series/e-STUDIO5008LP Series

Name	Model Name	e-STUDIO2000AC e-STUDIO2500AC	e-STUDIO2505AC e-STUDIO3005AC e-STUDIO3505AC e-STUDIO4505AC e-STUDIO5005AC e-STUDIO3508LP e-STUDIO4508LP e-STUDIO5008LP	e-STUDIO2008A e-STUDIO2508A e-STUDIO3008A	e-STUDIO3508A e-STUDIO4508A e-STUDIO5008A
Document feed					
Original Cover	KA-5005PC	YES	YES	YES	YES
Reversing Automatic Document Feeder	MR-3031	YES	YES	YES	YES
Dual Scan Document Feeder	MR-4000	NO	YES	YES	YES
Paper feed					
Paper Feed Pedestal	KD-1058	YES	YES	YES	YES
Additional Drawer Module	MY-1048	YES	YES	YES	YES
Paper Feed Unit	MY-1047	YES	NO	NO	NO
Envelope Drawer	MY-1049	YES	YES	YES	YES
Large Capacity Feeder	KD-1059	YES	YES	YES	YES
Exit					
Job Separator	MJ-5014	YES	NO	YES	NO
	MJ-5015	NO	YES	NO	YES
Bridge Unit	KN-5005	YES	YES	YES	YES
Finisher	MJ-1109	NO	YES	YES	YES
Saddle Stitch Finisher	MJ-1110	YES	YES	YES	YES
Hole Punch Unit	MJ-6011	YES	YES	YES	YES
	MJ-6105	YES	YES	YES	YES
Inner Finisher	MJ-1042	YES	YES	YES	YES
System					
FAX Unit	GD-1370	YES	YES	YES	YES
Wireless LAN/Bluetooth Module	GN-4020	YES	YES	YES	YES

Name	Model Name	e-STUDIO2000AC e-STUDIO2500AC	e-STUDIO2505AC e-STUDIO3005AC e-STUDIO3505AC e-STUDIO4505AC e-STUDIO5005AC e-STUDIO3508LP e-STUDIO4508LP e-STUDIO5008LP	e-STUDIO2008A e-STUDIO2508A e-STUDIO3008A	e-STUDIO3508A e-STUDIO4508A e-STUDIO5008A
Hardcopy Security Kit	GP-1190	YES	YES *1	NO	NO
Ten Key	GR-1260	YES	YES	YES	YES
FIPS Hard Disk Kit	GE-1230	YES	YES	YES	YES
Data Overwrite Enabler	GP-1070	YES	YES	YES	YES
Meta Scan Enabler	GS-1010	YES	YES	YES	YES
External Interface Enabler	GS-1020	YES	YES	YES	YES
IPsec Enabler	GP-1080	YES	YES	YES	YES
Unicode Font Enabler	GS-1007	YES	YES	YES	YES
OCR Enabler	GS-1080	YES	YES	YES	YES
	GS-1085	YES	YES	YES	YES
Multi Station Print Enabler	GS-1090	YES	YES	YES	YES
	GS-1095	YES	YES	YES	YES
Printer Scanner Enabler	GM-2280	NO	NO	YES	YES
USB Hub	GR-1270	YES	NO	YES	No
Others					
Desk	MH-5005	YES	YES	YES	YES
Work Table	KK-5005	YES	YES	YES	YES
Operator's Manual Pocket	KK-5008	YES	YES	YES	YES
Accessible Arm	KK-2560	YES	YES	YES	YES
Accessory Tray	GR-1250	YES	YES	YES	YES

*1 This is not available for the e-STUDIO5008LP Series.

Note

- Depending on the model, options have been already installed and the functions can be used.
- Depending on the destination, some options may not be available.

❑ e-STUDIO7506AC Series/e-STUDIO8508A Series

Name	Model Name	e-STUDIO5506AC e-STUDIO6506AC e-STUDIO7506AC	e-STUDIO5508A e-STUDIO6508A e-STUDIO7508A e-STUDIO8508A
Paper feed			
External Large Capacity Feeder	MP-2502A/L	YES	YES
Exit			
Side Receiving Tray	KA-6551-ET	YES	YES
Finisher	MJ-1111	YES	YES
Saddle Stitch Finisher	MJ-1112	YES	YES
Hole Punch Unit	MJ-6106	YES	YES
System			
FAX Unit	GD-1370	YES	YES
Wireless LAN/Bluetooth Module	GN-4020	YES	YES
Hardcopy Security Kit	GP-1190	YES	NO
Ten Key	GR-1260	YES	YES
FIPS Hard Disk Kit	GE-1230	YES	YES
Data Overwrite Enabler	GP-1070	YES	YES
Meta Scan Enabler	GS-1010	YES	YES
External Interface Enabler	GS-1020	YES	YES
IPsec Enabler	GP-1080	YES	YES
Unicode Font Enabler	GS-1007	YES	YES
OCR Enabler	GS-1080	YES	YES
	GS-1085	YES	YES
Multi Station Print Enabler	GS-1090	YES	YES
	GS-1095	YES	YES
Others			
Finisher Guide Rail	KN-1103	YES	YES
Operator's Manual Pocket	KK-5008	YES	YES
Accessible Arm	KK-2560	YES	YES
Accessory Tray	GR-1250	YES	YES

Note

- Depending on the model, options have been already installed and the functions can be used.
- Depending on the destination, some options may not be available.
- The DSDF (MR-4000) is installed in the e-STUDIO7506AC Series and e-STUDIO8508A Series as standard.

■ Finishing modes and optional finishing devices

See the table below for each finishing mode.

Finishing mode	Description
Non-sort Non-staple	Copies exit without being sorted or stapled.
Sort	Copies exit in the offset mode (shift exiting) in the same page order as the originals one set after another.
Group	Copies grouped by page exit in the offset mode (shift exiting).
Rotate sort	Copies exit in the offset mode (shift exiting) set by set alternately in a different direction.
Staple sort	Copies exit with their corner stapled.
Magazine sort	Copies exit in a book-type page order.
Center fold	Copies exit in a book-type page order with their center folded.
Saddle stitch	Copies exit in a book-type page order with their center folded and stapled.
Magazine sort & center fold	Magazine sort and center fold are used together.
Magazine sort & saddle stitch	Magazine sort and saddle stitch are used together.
Hole punch	Copies exit with their side punched.
Manual staple	Copies are stapled manually.

The available finishing modes differ depending on the type of optional finishing devices (Finisher and Hole Punch Unit) installed. Finishing devices available for this equipment are as follows:

Finisher

- Inner Finisher MJ-1042 (for e-STUDIO5005AC Series, e-STUDIO5008A Series, and e-STUDIO5008LP Series)
- Finisher MJ-1109 (for e-STUDIO2505AC/3005AC/3505AC/4505AC/5005AC, e-STUDIO5008A Series, and e-STUDIO5008LP Series)
- Finisher MJ-1111 (for e-STUDIO7506AC Series and e-STUDIO8508A Series)
- Saddle Stitch Finisher MJ-1110 (for e-STUDIO5005AC Series, e-STUDIO5008A Series, and e-STUDIO5008LP Series)
- Saddle Stitch Finisher MJ-1112 (for e-STUDIO7506AC Series and e-STUDIO8508A Series)

Hole Punch Unit

- Hole Punch Unit MJ-6011 (for Inner Finisher MJ-1042)
- Hole Punch Unit MJ-6105 (for Finisher MJ-1109 and Saddle Stitch Finisher MJ-1110)
- Hole Punch Unit MJ-6106 (for Finisher MJ-1111 and Saddle Stitch Finisher MJ-1112)

Inner Tray

- Inner Tray MJ-5014 (For e-STUDIO2000AC/2500AC and e-STUDIO2008A/2508A/3008A)
- Inner Tray MJ-5015 (for e-STUDIO2505AC/3005AC/3505AC/4505AC/5005AC, e-STUDIO3508A/4508A/5008A, and e-STUDIO5008LP Series)

Tip

- The inner tray cannot be installed when the Inner Finisher MJ-1042 is installed.
- In the case of reused paper which has been printed with the erasable blue toner by means of the e-STUDIO5008LP Series and its erasing has been performed by means of e-STUDIO RD301, identifying of the paper set by set may not be possible even if it has exited in the offset mode (shift exiting).

Use the table below to check the available finishing modes.

Finishing mode	Devices					
	MJ-1109 & MJ-6105	MJ-1109	MJ-1110 & MJ-6105	MJ-1110	MJ-1042 & MJ-6011	MJ-1042
Non-sort Non-staple	Yes	Yes	Yes	Yes	Yes	Yes
Sort	Yes	Yes	Yes	Yes	Yes	Yes
Group	Yes	Yes	Yes	Yes	Yes	Yes
Rotate sort	Yes	Yes	Yes	Yes	Yes	Yes
Staple sort	Yes	Yes	Yes	Yes	Yes	Yes
Magazine sort	Yes	Yes	Yes	Yes	Yes	Yes
Center fold	—	—	Yes	Yes	—	—
Saddle stitch	—	—	Yes	Yes	—	—
Magazine sort & center fold	—	—	Yes	Yes	—	—
Magazine sort & saddle stitch	—	—	Yes	Yes	—	—
Hole punch	Yes	—	Yes	—	Yes	—
Manual staple (Paper Preparation Guide)	Yes	Yes	Yes	Yes	—	—

Finishing mode	Devices		
	MJ-5014	MJ-5015	No device
Non-sort Non-staple	Yes	Yes	Yes
Sort	Yes	Yes	Yes
Group	Yes	Yes	Yes
Rotate sort	Yes	Yes	Yes
Staple sort	—	—	—
Magazine sort	Yes	Yes	Yes
Center fold	—	—	—
Saddle stitch	—	—	—
Magazine sort & center fold	—	—	—
Magazine sort & saddle stitch	—	—	—
Hole punch	—	—	—
Manual staple (Paper Preparation Guide)	—	—	—

For the setting of each finishing mode, refer to the **Copying Guide**.

Finishing mode	Devices				
	MJ-1111& MJ-6106	MJ-1111	MJ-1112& MJ-6106	MJ-1112	No device
Non-sort Non-staple	Yes	Yes	Yes	Yes	Yes
Sort	Yes	Yes	Yes	Yes	Yes
Group	Yes	Yes	Yes	Yes	Yes
Rotate sort	Yes	Yes	Yes	Yes	Yes
Staple sort	Yes	Yes	Yes	Yes	—
Magazine sort	Yes	Yes	Yes	Yes	Yes
Center fold	—	—	Yes	Yes	—
Saddle stitch	—	—	Yes	Yes	—
Magazine sort & center fold	—	—	Yes	Yes	—
Magazine sort & saddle stitch	—	—	Yes	Yes	—
Hole punch	Yes	—	Yes	—	—
Manual staple (Paper Preparation Guide)	Yes	Yes	Yes	Yes	—

For the setting of each finishing mode, refer to the **Copying Guide**.

Document feed

■ Reversing Automatic Document Feeder

Model name	MR-3031
Copy sides	1-side, Duplex
Number of originals (A4 or LT)	100 originals (35 - 80 g/m ² , 9.3 - 20 lb. Bond) or 16 mm/0.63" or less in height (more than 80 g/m ² , 20 lb. Bond)
Feeding speed	1-side: More than 50 sheets/min. (600 dpi), More than 73 sheets/min. (300 dpi) Duplex: 25 sheets/min. (600 dpi)
Acceptable originals	A3, A4, A4-R, A5-R, B4, B5, B5-R, FOLIO, LD, LG, LT, LT-R, ST-R, COMP(A5 and ST size are not acceptable.)
Paper weight	1-sided original: 35 - 157 g/m ² , 9.3 - 41.8 lb., 2-sided original: 50 - 157 g/m ² , 13.3 - 41.8 lb.
Power source	DC 5V, DC 24V (supplied from the equipment)
Dimensions	575 mm (22.6") (W) x 531 mm (20.9") (D) x 135 mm (5.3") (H)
Weight	Approx. 11 kg (24.3 lb.)
Power consumption	49.5 W or less

■ Dual Scan Document Feeder

Model name	MR-4000
Copy sides	1-side, Duplex
Number of originals (A4 or LT)	300 originals (35 - 80 g/m ² , 9.3 - 20 lb. Bond) or 38 mm/1.50" or less in height (more than 80 g/m ² , 20 lb. Bond)
Feeding speed	1-side: More than 70 pages/min. (600 dpi), More than 120 pages/min. (200 dpi) Duplex: More than 120 pages/min. (600 dpi), More than 240 pages/min. (200 dpi)
Acceptable originals	A3, A4, A4-R, A5-R, B4, B5, B5-R, FOLIO, LD, LG, LT, LT-R, ST-R, COMP (A5 and ST size are not acceptable.)
Paper weight	35 - 209 g/m ² , 9.3 - 41.8 lb. *1, *2
Power source	DC 5 V, DC 24 V (supplied from the equipment)
Dimensions	575 mm (22.6") (W) x 531 mm (20.9") (D) x 180 mm (7.1") (H)
Weight	Approx. 14 kg (30.9 lb.)
Power consumption	60 W or less


*1 Bleed-through will occur when a 2-sided original with thin paper such as 35 g/m² (9.3 lb.) is scanned.

*2 Sufficient image quality may not be obtained if the paper weight of an original exceeds 157 g/m² (41.8 lb.).


Paper feed

■ Paper Feed Pedestal and Additional Drawer Module

Model name	KD-1058
Acceptable paper size	A3, A4, A4-R, A5-R, B4, B5, B5-R, FOLIO, 305 mm x 457 mm, 320 mm x 450 mm, 320 mm x 460 mm, LD, LG, LT, LT-R, ST-R, COMP, 8.5"SQ, 12" x 18", 13"LG, 8K, 16K, 16K-R, non-standard size ^{*1} (A5 and ST are not acceptable.)
Paper weight	60 - 256 g/m ² (16 lb. Bond - 80 lb. Bond, -140 lb. Index) Erasable blue print (e-STUDIO5008LP Series): 64 - 80 g/m ² (17 lb. Bond - 20 lb. Bond)
Maximum capacity	550 sheets (80 g/m ² , 20 lb. Bond)
Power source	DC 5 V, DC 24 V (supplied from the equipment)
Dimensions	668 mm (26.3") (W) x 701 mm (27.6") (D) x 292 mm (11.5") (H) (incl. Stabilizer)
Weight	Approx. 16.3 kg (35.9 lb.)


^{*1} Refer to  P.8 "Acceptable copy paper" about the acceptable non-standard size.

Model name	MY-1048
Acceptable paper size	A3, A4, A4-R, A5-R, B4, B5, B5-R, FOLIO, 305 mm x 457 mm, 320 mm x 450 mm, 320 mm x 460 mm, LD, LG, LT, LT-R, ST-R, COMP, 8.5"SQ, 12" x 18", 13"LG, 8K, 16K, 16K-R, non-standard size ^{*1} (A5 and ST are not acceptable.)
Paper weight	60 - 256 g/m ² (16 lb. Bond - 80 lb. Bond, -140 lb. Index) Erasable blue print (e-STUDIO5008LP Series): 64 - 80 g/m ² (17 lb. Bond - 20 lb. Bond)
Power source	DC 5 V, DC 24 V (supplied from the equipment)
Maximum capacity	550 sheets (80 g/m ² , 20 lb. Bond), 500 sheets (105 g/m ² , 24 or 28 lb. Bond)
Weight	Approx. 3.1 kg (6.8 lb.)

^{*1} Refer to  P.8 "Acceptable copy paper" about the acceptable non-standard size.

■ Paper Feed Unit

Model name	MY-1047
Acceptable paper size	A3, A4, A4-R, A5-R, B4, B5, B5-R, FOLIO, LD, LG, LT, LT-R, ST-R, COMP, 8.5"SQ, 13"LG, 8K, 16K, 16K-R, non-standard size ^{*1}
Paper weight	60 - 163 g/m ² (16 lb. Bond - 90 lb. Index)
Maximum capacity	550 sheets (80 g/m ² , 20 lb. Bond)
Power source	DC 5 V, DC 24 V (supplied from the equipment)
Dimensions	575 mm (22.6") (W) x 583 mm (23") (D) x 163 mm (6.4") (H) (excl. Stabilizer)
Weight	Approx. 9.7 kg (21.4 lb.)

^{*1} Refer to  P.8 "Acceptable copy paper" about the acceptable non-standard size.

■ Envelope Drawer

Model name	MY-1049
Acceptable paper size	Envelope: COM10, Monarch, CHO-3, YOU-4, DL Paper: A4-R, B5-R, A5-R, 16K-R, LG, 13"LG, LT-R, ST-R Envelope non standard size: Length: 100 - 240 mm (3.9" - 9.4"), Width: 162 - 380 mm (6.4" - 15")
Paper weight	Envelope: - 85 g/m ² (- 22.6 lb. Bond), Paper - 256 g/m ² (- 140 lb. Index)
Maximum capacity	Envelope: 50 mm in height or less, Paper: 550 sheets (80 g/m ² , 20 lb. Bond)
Power source	DC 5 V, DC 24 V (supplied from the equipment)
Dimensions	532 mm (20.9") (W) x 575 mm (22.6") (D) x 89 mm (3.5") (H)
Weight	Approx. 3.3 kg (7.3 lb.)

■ Large Capacity Feeder

Model name	KD-1059
Acceptable paper size	A4 or LT
Paper weight	64 - 105 g/m ² , 17-28 lb. Bond
Maximum capacity	2000 sheets (80 g/m ² , 20 lb. Bond) (Height: approx. 110 mm or 4.3" x 2)
Power source	DC 5 V, DC 24 V (supplied from the equipment)
Dimensions	668 mm (26.3") (W) x 735 mm (28.9") (D) x 292 mm (11.5") (H) (incl. Stabilizer)
Weight	Approx. 25.5 kg (56.2 lb.)

■ External Large Capacity Feeder

Model name	MP-2502A/L
Acceptable paper size	A4 or LT
Paper weight	64 - 256 g/m ² (17 lb. Bond - 140 lb. Index)
Maximum capacity	2500 sheets (80 g/m ² , 20 lb. Bond) (Height: approx. 290 mm, 11.4")
Power source	DC 5 V, DC 24 V (supplied from the equipment)
Dimensions	326 mm (12.8") (W) x 611 mm (24") (D) x 465 mm (18.3") (H) (when installed to the equipment)
Weight	Approx. 28.5 kg (62.8 lb.)

Exit Options

Job Separator

Model name		MJ-5014	
		e-STUDIO2000AC e-STUDIO2500AC	e-STUDIO2008A e-STUDIO2508A e-STUDIO3008A
Acceptable paper size		A3, A4, A4-R, A5-R, B4, B5, B5-R, FOLIO, LD, LG, LT, LT-R, ST-R, COMP, 8.5"SQ, 8K, 16K, 16K-R, 13"LG, CHO-3 (120 mm × 235 mm), YOU-4 (105 mm × 235 mm), KAKU-2 (240 mm × 332 mm), DL (110 mm × 220 mm), Monarch (3 7/8" × 7 1/2"), COM10 (4 1/8" × 9 1/2")	
Acceptable paper weight	Upper stacker	60 - 105 g/m ² , 16 - 28 lb. Bond	60 - 105 g/m ² , 16 - 28 lb. Bond
	Lower stacker	60 - 209 g/m ² , 16 lb. Bond - 110 lb. Index	60 - 256 g/m ² , 16 lb. Bond - 140 lb. Index
Loading capacity	Upper stacker	25 mm, 0.98" (150 sheets) ^{*1}	
	Lower stacker	40 mm, 1.57" (250 sheets) ^{*1}	
Power source		DC 5 V, DC 24 V Supplied from the equipment	
Dimensions		498 mm (19.6") (W) x 415 mm (16.3") (D) x 153 mm (6") (H)	
Weight		Approx. 3.3 kg (7.3 lb.)	

*1 Values in parentheses: Number of sheets (80 g/m² or 20 lb. Bond)

Model name		MJ-5015		
		e-STUDIO2505AC e-STUDIO3005AC e-STUDIO3505AC e-STUDIO4505AC e-STUDIO5005AC	e-STUDIO3508A e-STUDIO4508A e-STUDIO5008A	e-STUDIO3508LP e-STUDIO4508LP e-STUDIO5008LP
Acceptable paper size		A3, A4, A4-R, A5-R, B4, B5, B5-R, FOLIO, LD, LG, LT, LT-R, ST-R, COMP, 8.5"SQ, 8K, 16K, 16K-R, 13"LG, CHO-3 (120 mm × 235 mm), YOU-4 (105 mm × 235 mm), KAKU-2 (240 mm × 332 mm), DL (110 mm × 220 mm), Monarch (3 7/8" × 7 1/2"), COM10 (4 1/8" × 9 1/2")		
		320 mm × 450 mm, 320 mm × 460 mm, 305 mm × 457 mm, 12" × 18"	—	
Acceptable paper weight	Upper stacker	60 - 105 g/m ² , 16 - 28 lb. Bond	60 - 105 g/m ² , 16 - 28 lb. Bond	
	Lower stacker	52 - 280 g/m ² , 14 lb. Bond - 150 lb. Index	60 - 256 g/m ² , 16 lb. Bond - 140 lb. Index	
Loading capacity	Upper stacker	25 mm, 0.98" (150 sheets) ^{*1}		
	Lower stacker	40 mm, 1.57" (250 sheets) ^{*1}		
Power source		DC 5 V, DC 24 V Supplied from the equipment		
Weight		Approx. 1 kg (2.2 lb.)		

*1 Values in parentheses: Number of sheets (80 g/m² or 20 lb. Bond)

Bridge Unit

Model name	KN-5005
Weight	Approx. 6.5 kg (14.3 lb.)

■ Finisher

(for e-STUDIO5005AC Series/e-STUDIO5008A Series/e-STUDIO5008LP Series)

Model name	MJ-1109		
	e-STUDIO2505AC e-STUDIO3005AC e-STUDIO3505AC e-STUDIO4505AC e-STUDIO5005AC	e-STUDIO2008A e-STUDIO2508A e-STUDIO3008A e-STUDIO3508A e-STUDIO4508A e-STUDIO5008A	e-STUDIO3508LP e-STUDIO4508LP e-STUDIO5008LP
Type	Floor type (Console type)		
Acceptable paper size	A3, A4, A4-R, A5-R, B4, B5, B5-R, FOLIO, LD, LG, LT, LT-R, ST-R, COMP, 8.5"SQ, 13"LG, 8K, 16K, 16K-R, CHO-3 (120 mm × 235 mm), YOU-4 (105 mm × 235 mm), KAKU-2 (240 mm × 332 mm), DL (110 mm × 220 mm), Monarch (3 7/8" × 7 1/2"), COM10 (4 1/8" × 9 1/2")		
	320 mm × 450 mm, 320 mm × 460 mm, 305 mm × 457 mm, 12" × 18"	—	
Acceptable paper weight	52 - 256 g/m ² , 14 lb. Bond - 140 lb. Index	52 - 256 g/m ² , 14 lb. Bond - 140 lb. Index	Black and white print: 60- 256 g/m ² , 16 lb. Bond - 140 lb. Index Erasable blue print: 64 - 80 g/m ² (17 lb. Bond - 20 lb. Bond)
Power source	DC 5.1 V, DC 24 V Supplied from the equipment		
Dimensions	535 mm (21") (W) x 598 mm (23.5") (D) x 1092 mm (43") (H) (When the sub-tray is retracted)		
Weight	Approx. 34 kg (74.8 lb.)		
Power consumption	85 W or less		

□ Maximum number of sheets available for stapling

Paper size	Paper weight		
	60 - 80 g/m ² (16 - 20 lb. Bond)	81 - 90 g/m ² (21 - 24 lb. Bond)	91 - 105 g/m ² (25 - 28 lb. Bond)
A4, A4-R, B5, LT, LT-R, 8.5"SQ, 16K	50 sheets	50 sheets	30 sheets
A3, B4, FOLIO, LD, LG, COMP, 13"LG, 8K	30 sheets	30 sheets	15 sheets

Note

When inserting 2 cover sheets (60 to 256g/m² (16 lb. Bond to 140 lb. Index)), these 2 sheets are included.

☐ Tray loading capacity

Upper Receiving Tray*¹

Paper size	Loading height	Paper weight		
		60 - 80 g/m ² (16 - 20 lb. Bond)	81 - 90 g/m ² (21 - 24 lb. Bond)	91 - 105 g/m ² (25 - 28 lb. Bond)
A4, B5, LT, A5-R, ST-R, 8.5"SQ, 16K, A6-R	36.75 mm (1.45")	250 sheets	225 sheets	190 sheets
A3, A4-R, B4, FOLIO, LD, LG, LT-R, COMP, B5-R, 13"LG, 8K, 16K-R, 305 mm x 457 mm, 320 mm x 450 mm, 320 mm x 460 mm, non-standard size	18.4 mm (0.72")	125 sheets	112 sheets	95 sheets
Envelope	18.4 mm (0.72")	60 sheets	—	—

*1 When ejecting a large volume of A3-size or thick paper to the upper receiving tray, the paper tends to fall off from the tray. To avoid this, remove the paper from the tray quite frequently.

- The loading height is 18.4 mm or 125 sheets (60 to 80 g/m² (16 to 20 lb. Bond)) when ejecting mixed-size paper.
- The loading height is 18.4 mm or 100 sheets (64 to 80 g/m² (17 to 20 lb. Bond)) when ejecting reused paper (Paper printed by erasable blue toner of e-STUDIO5008LP Series and erased by e-STUDIO RD301).
- In the e-STUDIO5008LP Series, mixture loading of unused and reused paper and that of different sizes of reused paper are not available.
- When an attempt is made to have reused paper exit in the e-STUDIO5008LP Series, remove it from the tray quite frequently.
- Ejecting of the paper to the upper receiving tray cannot be performed in the offset mode.

Lower Receiving Tray

Other than the staple mode

Paper size	Loading height	Paper weight			
		60 - 80 g/m ² (16 - 20 lb. Bond)	81 - 90 g/m ² (21 - 24 lb. Bond)	91 - 105 g/m ² (25 - 28 lb. Bond)	106 - 256 g/m ² (29 lb. Bond - 140 lb. Index)
A4, B5, LT, 8.5"SQ, 16K	250 mm (9.84")	2000 sheets	1800 sheets	1400 sheets	550 sheets
A3, A4-R, B4, FOLIO, LD, LG, LT-R, COMP, 13"LG, 8K, 16K-R, 305 mm x 457 mm	140 mm (5.51")	1000 sheets	900 sheets	700 sheets	275 sheets
ST-R, A5-R, B5-R, A6-R, non-standard size	—	500 sheets	500 sheets	500 sheets	450 sheets

- The loading height is 140 mm or 1000 sheets of paper at mixed size.
- The loading height is 58.3 mm or 400 sheets (64 to 80 g/m² (17 to 20 lb. Bond)) when ejecting reused paper (Paper printed by erasable blue toner of e-STUDIO5008LP Series and erased by e-STUDIO RD301).
- In the e-STUDIO5008LP Series, mixture loading of unused and reused paper and that of different sizes of reused paper are not available.
- When an attempt is made to have reused paper exit in the e-STUDIO5008LP Series, remove it from the tray quite frequently.
- The offset mode does not support the paper sizes A5-R, A6-R, B5-R, ST-R, 16K-R, 305 mm x 457 mm and non-standard.

Staple mode

Paper size	Stapling position	Loading height	Paper weight
			60 - 105 g/m ² (16 - 28 lb. Bond)
A3, A4, A4-R, B4, B5, FOLIO, LD, LG, LT, LT-R, COMP, 13"LG, 8K, 16K, 8.5"SQ	Single (Front/Rear)	—	30 sets
	Double *1	—	

*1 8K, 16K, 13"LG and 8.5"SQ are excluded.

- The loading capacity is 1000 sheets (60 to 80 g/m² (16 to 20 lb. Bond)) when ejecting mixed-size paper.

■ Finisher (for e-STUDIO7506AC Series and e-STUDIO8508A Series)

Model name	MJ-1111
Type	Floor type (Console type)
Acceptable paper size	A3, A4, A4-R, A5-R, B4, B5, B5-R, FOLIO, LD, LG, LT, LT-R, ST-R, COMP, 8.5"SQ, 13"LG, 8K, 16K, 16K-R, CHO-3 (120 mm × 235 mm), YOU-4 (105 mm × 235 mm), KAKU-2 (240 mm × 332 mm), DL (110 mm × 220 mm), Monarch (3 7/8" × 7 1/2"), COM10 (4 1/8" × 9 1/2")
Acceptable paper weight	64 - 300 g/m ² , 17 lb. Bond - 110 lb. Cover
Power source	DC 5.1 V, DC 24 V Supplied from the equipment
Dimensions	617 (750 *1) mm (24.3"(29.5" *1)) (W) x 603 mm (23.7") (D) x 1085 mm (42.7") (H)
Weight	Approx. 40 kg (88.2 lb.)
Power consumption	100 W or less

*1 When the sub-tray is retracted.

□ Maximum number of sheets available for stapling

Paper size	Paper weight		
	60 - 80 g/m ² (16 - 20 lb. Bond)	81 - 90 g/m ² (21 - 24 lb. Bond)	91 - 105 g/m ² (25 - 28 lb. Bond)
A4, A4-R, B5, LT, LT-R, 8.5"SQ, 16K	50 sheets	50 sheets	30 sheets
A3, B4, FOLIO, LD, LG, COMP, 13"LG, 8K	30 sheets	30 sheets	15 sheets

* A5-R, B5-R, ST-R and 16K-R are excluded.

❑ Tray loading capacity

Upper Receiving Tray*¹

Paper size	Loading height	Paper weight		
		60 - 80 g/m ² (16 - 20 lb. Bond)	81 - 90 g/m ² (21 - 24 lb. Bond)	91 - 105 g/m ² (25 - 28 lb. Bond)
A4, B5, LT, A5-R, ST-R, 8.5"SQ, 16K, A6-R	36.75 mm (1.45")	250 sheets	225 sheets	190 sheets
A3, A4-R, B4, FOLIO, LD, LG, LT-R, COMP, B5-R, 13"LG, 8K, 16K-R, 305 mm x 457 mm, 320 mm x 450 mm, 320 mm x 460 mm, non-standard size	18.4 mm (0.72")	125 sheets	112 sheets	95 sheets
Envelope	18.4 mm (0.72")	60 sheets	—	—

*1 When ejecting a large volume of A3-size or thick paper to the upper receiving tray, the paper tends to fall off from the tray. To avoid this, remove the paper from the tray quite frequently.

- The loading height is 18.4 mm or 125 sheets (60 to 80 g/m² (16 to 20 lb. Bond)) when ejecting mixed-size paper.
- Ejecting of the paper to the upper receiving tray cannot be performed in the offset mode.

Lower Receiving Tray

Other than the staple mode

Paper size	Loading height	Paper weight			
		60 - 80 g/m ² (16 - 20 lb. Bond)	81 - 90 g/m ² (21 - 24 lb. Bond)	91 - 105 g/m ² (25 - 28 lb. Bond)	106 - 256 g/m ² (29 lb. Bond - 140 lb. Index)
A4, B5, LT, 8.5"SQ, 16K	350 mm (13.78")	3000 sheets	2700 sheets	2300 sheets	900 sheets
A3, A4-R, B4, FOLIO, LD, LG, LT-R, COMP, 13"LG, 8K, 16K-R, 305 mm x 457 mm	175 mm (6.89")	1500 sheets	1350 sheets	1150 sheets	450 sheets
ST-R, A5-R, B5-R, A6-R, non-standard size	—	500 sheets	500 sheets	500 sheets	450 sheets

- The loading height is 175 mm or 1500 sheets (60 to 80 g/m² (16 to 20 lb. Bond)) when ejecting mixed-size paper.
- The offset mode does not support the paper sizes A5-R, ST-R, A6-R, B5-R, 16K-R, 305 mm x 457 mm and non-standard.

Staple mode

Paper size	Stapling position	Loading height	Paper weight
			60 - 105 g/m ² (16 - 28 lb. Bond)
A4, B5, LT	Single (Front/Rear)	—	Whichever of 100 sets or 2000 sheets is reached first
	Double	—	Whichever of 150 sets or 2000 sheets is reached first
A3, A4-R, B4, FOLIO, LD, LG, LT-R, COMP, 13"LG, 8K, 16K, 8.5"SQ	Single (Front/Rear)	—	Whichever of 50 sets or 1000 sheets is reached first
	Double *1	—	Whichever of 75 sets or 1000 sheets is reached first

*1 8K, 16K, 13"LG and 8.5"SQ are excluded.

- The loading capacity is 1000 sheets (60 to 80 g/m² (16 to 20 lb. Bond)) when ejecting mixed-size paper.

■ Saddle Stitch Finisher
(for e-STUDIO5005AC Series/e-STUDIO5008A Series/e-STUDIO5008LP Series)

Model name	MJ-1110			
	e-STUDIO2000AC e-STUDIO2500AC	e-STUDIO2505AC e-STUDIO3005AC e-STUDIO3505AC e-STUDIO4505AC e-STUDIO5005AC	e-STUDIO2008A e-STUDIO2508A e-STUDIO3008A e-STUDIO3508A e-STUDIO4508A e-STUDIO5008A	e-STUDIO3508LP e-STUDIO4508LP e-STUDIO5008LP
Type	Floor type (Console type)			
Acceptable paper size	A3, A4, A4-R, A5-R, B4, B5, B5-R, FOLIO, LD, LG, LT, LT-R, ST-R, COMP, 8.5"SQ, 8K, 16K, 16K-R, 13"LG, CHO-3 (120 mm × 235 mm), YOU-4 (105 mm × 235 mm), KAKU-2 (240 mm × 332 mm), DL (110 mm × 220 mm), Monarch (3 7/8" × 7 1/2"), COM10 (4 1/8" × 9 1/2")			
	—	320 mm × 450 mm, 320 mm × 460 mm, 305 mm × 457 mm, 12" × 18"	—	
Acceptable paper weight	60 - 209 g/m ² , 16 lb. Bond - 110 lb. Index	52 - 280 g/m ² , 14 lb. Bond - 100 lb. Cover	52 - 256 g/m ² , 14 lb. Bond - 140 lb. Index	Black and white print: 60 - 256 g/m ² , 16 lb. Bond - 140 lb. Index Erased blue print: 64 - 80 g/m ² (17 lb. Bond - 20 lb. Bond)
Power source	DC 5.1 V, DC 24 V Supplied from the equipment			
Dimensions	617 mm (24.3") (W) x 603 mm (23.7") (D) x 1085 mm (42.7") (H) (When the sub-tray is retracted)			
Weight	Approx. 70 kg (154.3 lb.)			
Power consumption	85 W or less			

□ Maximum number of sheets available for stapling

Paper size	Paper weight		
	60 - 80 g/m ² (16 - 20 lb. Bond)	81 - 90 g/m ² (21 - 24 lb. Bond)	91 - 105 g/m ² (25 - 28 lb. Bond)
A4, A4-R, B5, LT, LT-R, 8.5"SQ, 16K	50 sheets	50 sheets	30 sheets
A3, B4, FOLIO, LD, LG, COMP, 13"LG, 8K	30 sheets	30 sheets	15 sheets

- Make sure that the thickness per set is 5.7 mm or less.
- A5-R, A6-R, B5-R, ST-R, 16K-R, CHO-3, YOU-4, DL, Monarch and COM10 are excluded.

Note

When inserting 2 cover sheets (60 to 256 g/m² (16 lb. Bond to 140 lb. Index)), these 2 sheets are included.

❑ Maximum number of sheets available for saddle stitching

Paper size	Paper weight		
	60 - 80 g/m ² (16 - 20 lb. Bond)	81 - 90 g/m ² (21 - 24 lb. Bond)	91 - 105 g/m ² (25 - 28 lb. Bond)
A3, A4-R, B4, LD, LT-R, LG	15 sheets	15 sheets	10 sheets

- Make sure that the thickness per set is 1.7 mm or less.

Note

When inserting 2 cover sheets (60 to 256 g/m² (16 lb. Bond to 140 lb. Index)), these 2 sheets are included.

❑ Maximum number of sheets available for center folding

Paper size	Paper weight		
	60 - 80 g/m ² (16 - 20 lb. Bond)	81 - 90 g/m ² (21 - 24 lb. Bond)	91 - 105 g/m ² (25 - 28 lb. Bond)
A3, A4-R, B4, LD, LT-R, LG	5 sheets	5 sheets	5 sheets

Note

When inserting 2 cover sheets (60 to 256 g/m² (16 lb. Bond to 140 lb. Index)), these 2 sheets are included.

❑ Tray loading capacity

Upper Receiving Tray*¹

Paper size	Loading height	Paper weight		
		60 - 80 g/m ² (16 - 20 lb. Bond)	81 - 90 g/m ² (21 - 24 lb. Bond)	91 - 105 g/m ² (25 - 28 lb. Bond)
A4, A5-R, A6-R, B5, LT, ST-R, 8.5"SQ, 16K	36.75 mm (1.45")	250 sheets	225 sheets	190 sheets
A3, A4-R, B4, B5-R, FOLIO, 305 mm x 457 mm, 320 mm x 450 mm, 320 mm x 460 mm, LD, LG, LT-R, COMP, 13"LG, 8K, 16K-R, non-standard size	18.4 mm (0.72")	125 sheets	112 sheets	95 sheets
Envelope	18.4 mm (0.72")	60 sheets	—	—

*1 When ejecting a large volume of A3-size or thick paper to the upper receiving tray, the paper tends to fall off from the tray. To avoid this, remove the paper from the tray quite frequently.

- The loading height is 18.4 mm or 125 sheets (60 to 80 g/m² (16 to 20 lb. Bond)) when ejecting mixed-size paper.
- The loading height is 18.4 mm or 100 sheets (64 to 80 g/m² (17 to 20 lb. Bond)) when ejecting reused paper (Paper printed by erasable blue toner of e-STUDIO5008LP Series and erased by e-STUDIO RD301).
- In the e-STUDIO5008LP Series, mixture loading of unused and reused paper and that of different sizes of reused paper are not available.
- When an attempt is made to have reused paper exit in the e-STUDIO5008LP Series, remove it from the tray quite frequently.
- Ejecting of the paper to the upper receiving tray cannot be performed in the offset mode.

Lower Receiving Tray

Other than the staple mode

Paper size	Loading height	Paper weight			
		60 - 80 g/m ² (16 - 20 lb. Bond)	81 - 90 g/m ² (21 - 24 lb. Bond)	91 - 105 g/m ² (25 - 28 lb. Bond)	106 - 256 g/m ² (29 lb. Bond - 140 lb. Index)
A4, B5, 8.5"SQ, 16K	350 mm (13.78")	3000 sheets	2700 sheets	2300 sheets	900 sheets
A3, A4-R, B4, FOLIO, 305 mm x 457 mm, LD, LG, LT-R, COMP, 13"LG, 12" x 18", 8K, 16K-R	175 mm (6.89")	1500 sheets	1350 sheets	1150 sheets	450 sheets
ST-R, A5-R, B5-R, A6-R, non-standard size	—	500 sheets	500 sheets	500 sheets	450 sheets

- The loading height is 175 mm or 1500 sheets (60 to 80 g/m² (16 to 20 lb. Bond)) when ejecting mixed-size paper.
- The loading height is 58.3 mm or 400 sheets (64 to 80 g/m² (17 to 20 lb. Bond)) when ejecting reused paper (Paper printed by erasable blue toner of e-STUDIO5008LP Series and erased by e-STUDIO RD301).
- In the e-STUDIO5008LP Series, mixture loading of unused and reused paper and that of different sizes of reused paper are not available.
- When an attempt is made to have reused paper exit in the e-STUDIO5008LP Series, remove it from the tray quite frequently.
- The offset mode does not support the paper sizes A5-R, A6-R, B5-R, ST-R, 16K-R, 305 mm x 457 mm and non-standard.

Staple mode

Paper size	Stapling position	Loading height	Paper weight
			60 - 105 g/m ² (16 - 28 lb. Bond)
A4, B5, LT	Single (Front/Rear)	—	Whichever of 100 sets or 2000 sheets is reached first
	Double	—	Whichever of 150 sets or 2000 sheets is reached first
A3, A4-R, B4, FOLIO, LD, LG, LT-R, COMP, 13"LG, 8K, 16K, 8.5"SQ	Single (Front/Rear)	—	Whichever of 50 sets or 1000 sheets is reached first
	Double *1	—	Whichever of 75 sets or 1000 sheets is reached first

*1 8K, 16K, 13"LG and 8.5"SQ are excluded.

- The loading capacity is 1000 sheets (60 to 80 g/m² (16 to 20 lb. Bond)) when ejecting mixed-size paper.

Saddle stitching mode

Paper size	Loading height	Paper weight	
		60 - 90 g/m ² (16 - 24 lb. Bond)	91 - 105 g/m ² (25 - 28 lb. Bond)
A3, A4-R, B4	—	11 - 15 sheets per set: 25 sets (10 sets if cover sheets are added) 6 - 10 sheets per set: 30 sets (15 sets if cover sheets are added) Less than 5 sheets per set: 50 sets	6 - 10 sheets per set: 25 sets (15 sets if cover sheets are added) Less than 5 sheets per set: 40 sets (30 sets if cover sheets are added)

Center folding mode

Paper size	Loading height	Paper weight
		60 - 105 g/m ² (16 - 28 lb. Bond)
A3, A4-R, B4	—	Less than 5 sheets per set: 25 sets

■ Saddle Stitch Finisher (for e-STUDIO7506AC Series and e-STUDIO8508A Series)

Model name	MJ-1112
Type	Floor type (Console type)
Acceptable paper size	A3, A4, A4-R, A5-R, B4, B5, B5-R, FOLIO, LD, LG, LT, LT-R, ST-R, COMP, 8.5"SQ, 8K, 16K, 16K-R, 13"LG, CHO-3 (120 mm × 235 mm), YOU-4 (105 mm × 235 mm), KAKU-2 (240 mm × 332 mm), DL (110 mm × 220 mm), Monarch (3 7/8" × 7 1/2"), COM10 (4 1/8" × 9 1/2")
Acceptable paper weight	64 - 300 g/m ² , 17 lb. Bond - 110 lb. Cover
Power source	DC 5.1 V, DC 24 V Supplied from the equipment
Dimensions	617 mm (24.3") (750 mm (29.5") ^{*1}) (W) x 603 mm (23.7") (D) x 1085 mm (42.7") (H) (When the sub-tray is retracted)
Weight	Approx. 70 kg (154.3 lb.)
Power consumption	100 W or less

*1 The dimension values in parentheses are measured when the sub-tray is pulled out.

□ Maximum number of sheets available for stapling

Paper size	Paper weight		
	60 - 80 g/m ² (16 - 20 lb. Bond)	81 - 90 g/m ² (21 - 24 lb. Bond)	91 - 105 g/m ² (25 - 28 lb. Bond)
A4, A4-R, B5, LT, LT-R, 8.5"SQ, 16K	50 sheets	50 sheets	30 sheets
A3, B4, FOLIO, LD, LG, COMP, 13"LG, 8K	30 sheets	30 sheets	15 sheets

- Make sure that the thickness per set is 5.7 mm or less.
- A5-R, A6-R, B5-R, ST-R and 16K-R are excluded.

Note

When inserting 2 cover sheets (60 to 256 g/m² (16 lb. Bond to 140 lb. Index)), these 2 sheets are included.

□ Maximum number of sheets available for saddle stitching

Paper size	Paper weight		
	60 - 80 g/m ² (16 - 20 lb. Bond)	81 - 90 g/m ² (21 - 24 lb. Bond)	91 - 105 g/m ² (25 - 28 lb. Bond)
A3, A4-R, B4, LD, LT-R, LG	15 sheets	10 sheets	10 sheets

- Make sure that the thickness per set is 1.7 mm or less.

Note

When inserting 2 cover sheets (60 to 256 g/m² (16 lb. Bond to 140 lb. Index)), these 2 sheets are included.

❑ Maximum number of sheets available for center folding

Paper size	Paper weight		
	60 - 80 g/m ² (16 - 20 lb. Bond)	81 - 90 g/m ² (21 - 24 lb. Bond)	91 - 105 g/m ² (25 - 28 lb. Bond)
A3, A4-R, B4	5 sheets	5 sheets	5 sheets

Note

When inserting 2 cover sheets (60 to 256 g/m² (16 lb. Bond to 140 lb. Index)), these 2 sheets are included.

❑ Tray loading capacity

Upper Receiving Tray*¹

Paper size	Loading height	Paper weight		
		60 - 80 g/m ² (16 - 20 lb. Bond)	81 - 90 g/m ² (21 - 24 lb. Bond)	91 - 105 g/m ² (25 - 28 lb. Bond)
A4, B5, LT, A5-R, ST-R, 8.5"SQ, 16K, A6-R	36.75 mm (1.45")	250 sheets	225 sheets	190 sheets
A3, A4-R, B4, FOLIO, LD, LG, LT-R, COMP, B5-R, 13"LG, 8K, 16K-R, 305 mm x 457 mm, 320 mm x 450 mm, 320 mm x 460 mm, non-standard size	18.4 mm (0.72")	125 sheets	112 sheets	95 sheets
Envelope	18.4 mm (0.72")	60 sheets	—	—

*1 When ejecting a large volume of A3-size or thick paper to the upper receiving tray, the paper tends to fall off from the tray. To avoid this, remove the paper from the tray quite frequently.

- The loading height is 18.4 mm or 125 sheets (60 to 80 g/m² (16 to 20 lb. Bond)) when ejecting mixed-size paper.
- Ejecting of the paper to the upper receiving tray cannot be performed in the offset mode.

Lower Receiving Tray

Other than the staple mode

Paper size	Loading height	Paper weight			
		60 - 80 g/m ² (16 - 20 lb. Bond)	81 - 90 g/m ² (21 - 24 lb. Bond)	91 - 105 g/m ² (25 - 28 lb. Bond)	106 - 256 g/m ² (29 lb. Bond - 140 lb. Index)
A4, B5, LT, 8.5"SQ, 16K	350 mm (13.78")	3000 sheets	2700 sheets	2300 sheets	900 sheets
A3, A4-R, B4, FOLIO, LD, LG, LT-R, COMP, 13"LG, 8K, 16K-R, 305 mm x 457 mm	175 mm (6.89")	1500 sheets	1350 sheets	1150 sheets	450 sheets
ST-R, A5-R, B5-R, A6-R, non-standard size	—	500 sheets	500 sheets	500 sheets	450 sheets

- The loading height is 175 mm or 1500 sheets (60 to 80 g/m² (16 to 20 lb. Bond)) when ejecting mixed-size paper.
- The offset mode does not support the paper sizes A5-R, ST-R, A6-R, B5-R, 16K-R, 305 mm x 457 mm and non-standard.

Staple mode

Paper size	Stapling position	Loading height	Paper weight
			60 - 105 g/m ² (16 - 28 lb. Bond)
A4, B5, LT	Single (Front/Rear)	—	Whichever of 100 sets or 2000 sheets is reached first
	Double	—	Whichever of 150 sets or 2000 sheets is reached first
A3, A4-R, B4, FOLIO, LD, LG, LT-R, COMP, 13"LG, 8K, 16K, 8.5"SQ	Single (Front/Rear)	—	Whichever of 50 sets or 1000 sheets is reached first
	Double *1	—	Whichever of 75 sets or 1000 sheets is reached first

*1 8K, 16K, 13"LG and 8.5"SQ are excluded.

- The loading capacity is 1000 sheets (60 to 80 g/m² (16 to 20 lb. Bond)) when ejecting mixed-size paper.

Saddle stitching mode

Paper size	Loading height	Paper weight	
		60 - 90 g/m ² (16 - 24 lb. Bond)	91 - 105 g/m ² (25 - 28 lb. Bond)
A3, A4-R, B4	—	11 - 15 sheets per set: 25 sets (10 sets if cover sheets are added) 6 - 10 sheets per set: 30 sets (15 sets if cover sheets are added) Less than 5 sheets per set: 50 sets	6 - 10 sheets per set: 25 sets (15 sets if cover sheets are added) Less than 5 sheets per set: 40 sets (30 sets if cover sheets are added)

Center folding mode

Paper size	Loading height	Paper weight
		60 - 105 g/m ² (16 - 28 lb. Bond)
A3, A4-R, B4	—	Less than 5 sheets per set: 25 sets

Inner Finisher
(for e-STUDIO5005AC Series/e-STUDIO5008A Series/e-STUDIO5008LP Series)

Model name	MJ-1042			
	e-STUDIO2000AC e-STUDIO2500AC	e-STUDIO2505AC e-STUDIO3005AC e-STUDIO3505AC e-STUDIO4505AC e-STUDIO5005AC	e-STUDIO2008A e-STUDIO2508A e-STUDIO3008A e-STUDIO3508A e-STUDIO4508A e-STUDIO5008A	e-STUDIO3508LP e-STUDIO4508LP e-STUDIO5008LP
Type	Inner Finisher			
Acceptable paper size	A3, A4, A4-R, A5-R, A6-R, B4, B5, B5-R, FOLIO, LD, LG, LT, LT-R, ST-R, COMP, 8.5"SQ, 8K, 16K, 16K-R, 13"LG, CHO-3 (120 mm × 235 mm), YOU-4 (105 mm × 235 mm), KAKU-2 (240 mm × 332 mm), DL (110 mm × 220 mm), Monarch (3 7/8" × 7 1/2"), COM10 (4 1/8" × 9 1/2")			
	—	320 mm × 450 mm, 320 mm × 460 mm, 305 mm × 457 mm, 12" × 18"	—	
Acceptable paper weight	60 - 209 g/m ² , 16 lb. Bond - 110 lb. Index	52 - 280 g/m ² , 14 lb. Bond - 100 lb. Cover	52 - 256 g/m ² , 14 lb. Bond - 140 lb. Index	Black and white print: 60 - 256 g/m ² , 16 lb. Bond - 140 lb. Index Erasable blue print: 64 - 80 g/m ² (17 lb. Bond - 20 lb. Bond)
Power source	DC 24 V Supplied from the equipment			
Dimensions	481.6 mm (19") (W) x 507.5 mm (20") (D) x 232.1 mm (9.1") (H) (When the sub-tray is retracted)			
Weight	Approx. 15.3 kg (33.7 lb.)			
Power consumption	56 W or less			

Maximum number of sheets available for stapling

Paper size	Paper weight		
	60 - 80 g/m ² (16 - 20 lb. Bond)	81 - 90 g/m ² (21 - 24 lb. Bond)	91 - 105 g/m ² (25 - 28 lb. Bond)
A4, A4-R, B5, B5-R, LT, LT-R, 8.5"SQ, 16K, 16K-R	50 sheets	50 sheets	30 sheets
A3, B4, FOLIO, LD, LG, COMP, 13"LG, 8K	30 sheets	30 sheets	15 sheets

Note

When inserting 2 cover sheets (106 to 209 g/m² (29 lb. Bond to 110 lb. Index)), these 2 sheets are included.

❑ Tray loading capacity

Upper Receiving Tray

Paper size	Loading height	Paper weight		
		60 - 80 g/m ² (16 - 20 lb. Bond)	81 - 90 g/m ² (21 - 24 lb. Bond)	91 - 105 g/m ² (25 - 28 lb. Bond)
A4-R, A4, A5-R, B5-R, B5, LT-R, LT, ST-R, 8.5"SQ, 16K, 16K-R	14 mm (0.55")	100 sheets* ¹	89 sheets	76 sheets
A3, B4, FOLIO, LD, LG, COMP, 13"LG, 8K	7 mm (0.28")	50 sheets* ²	45 sheets	38 sheets

*1 The loading height is 14 mm or 80 sheets (64 to 80 g/m² (17 to 20 lb. Bond)) when ejecting reused paper (Paper printed by erasable blue toner of e-STUDIO5008LP Series and erased by e-STUDIO RD301).

*2 The loading height is 7 mm or 40 sheets (64 to 80 g/m² (17 to 20 lb. Bond)) when ejecting reused paper (Paper printed by erasable blue toner of e-STUDIO5008LP Series and erased by e-STUDIO RD301).

- The loading height is 7 mm or 50 sheets (60 to 80 g/m² (16 to 20 lb. Bond)) when ejecting mixed-size paper.
- In the e-STUDIO5008LP Series, mixture loading of unused and reused paper and that of different sizes of reused paper are not available.
- When an attempt is made to have reused paper exit in the e-STUDIO5008LP Series, remove it from the tray quite frequently.
- The paper cannot exit in the offset mode to the upper receiving tray.

Lower Receiving Tray

Other than the staple mode

Paper size	Loading height	Paper weight						
		60 - 80 g/m ² (16 - 20 lb. Bond)	81 - 90 g/m ² (21 - 24 lb. Bond)	91 - 105 g/m ² (25 - 28 lb. Bond)	106 - 163 g/m ² (29 lb. Bond - 90 lb. Index)	164 - 209 g/m ² (91 lb. Index - 110 lb. Index)	210 - 256 g/m ² (111 lb. Index - 140 lb. Index)	257 - 280 g/m ² (141 lb. Index - 100 lb. Cover)
A4-R, A4, A5-R, B5-R, B5, LT-R, LT, ST-R, 8.5"SQ, 16K, 16K-R	73 mm (2.87")	500 sheets* ¹	444 sheets	381 sheets	85 sheets	50 sheets	40 sheets	37 sheets
A3, B4, FOLIO, LD, LG, COMP, 13"LG, 8K	36 mm (1.42")	250 sheets* ²	222 sheets	191 sheets				

*1 The loading height is 73 mm or 400 sheets (64 to 80 g/m² (17 to 20 lb. Bond)) when ejecting reused paper (Paper printed by erasable blue toner of e-STUDIO5008LP Series and erased by e-STUDIO RD301).

*2 The loading height is 36 mm or 200 sheets (64 to 80 g/m² (17 to 20 lb. Bond)) when ejecting reused paper (Paper printed by erasable blue toner of e-STUDIO5008LP Series and erased by e-STUDIO RD301).

- The loading height is 36 mm or 250 sheets (60 to 80 g/m² (16 to 20 lb. Bond)) when ejecting mixed-size paper.
- In the e-STUDIO5008LP Series, mixture loading of unused and reused paper and that of different sizes of reused paper are not available.
- When an attempt is made to have reused paper exit in the e-STUDIO5008LP Series, remove it from the tray quite frequently.
- The offset mode does not support the paper sizes A5-R, A6-R, B5-R, ST-R, 16K-R and non-standard.

Staple mode

Paper size	Stapling position	Loading height	Paper weight		
			60 - 80 g/m ² (16 - 20 lb. Bond)	81 - 90 g/m ² (21 - 24 lb. Bond)	91 - 105 g/m ² (25 - 28 lb. Bond)
A4-R, A4, A5-R, B5-R, B5, LT-R, LT, ST-R, 8.5"SQ, 16K, 16K-R	Single (Front/Rear), Double	73 mm (2.87") or 50 sets	500 sheets	444 sheets	381 sheets
A3, B4, FOLIO, LD, LG, COMP, 13"LG, 8K	Single (Front/Rear), Double	36 mm (1.42") or 25 sets	250 sheets	222 sheets	191 sheets

**■ Hole Punch Unit MJ-6011 Series
(for e-STUDIO5005AC Series / e-STUDIO5008A Series / e-STUDIO5008LP Series)**

Model name	MJ-6011 Series				
	MJ-6011E	MJ-6011N		MJ-6011F	MJ-6011S
Number of holes	2 holes	2 holes	3 holes	4 holes	4 holes
Hole diameter	6.5 mm (0.26")	8.0 mm (0.32")	8.0 mm (0.32")	6.0 mm (0.24")	6.0 mm (0.24")
Distance between holes	80 mm (±1 mm) (3.15" (± 0.04"))	70 mm (± 1 mm) (2.76" (± 0.04"))	108 mm (± 1 mm) (4.25" (± 0.04"))	80 mm (± 1 mm) (3.15" (± 0.04"))	Center: 70 mm (± 1 mm) (2.76" (± 0.04")) Outside: 21 mm (± 1 mm) (0.83" (± 0.04"))
Acceptable paper size	A3, B4, FOLIO, LD, LG, COMP, 13"LG, 8K, A4, A4-R, B5, B5-R, LT, LT-R, 8.5"SQ, 16K, 16K-R	B4, FOLIO, LG, A4-R, B5, B5-R, LT-R, 8.5"SQ, 16K-R	A3, LD, COMP, 8K, A4, LT, 16K	A3, LD, 8K, A4, LT, 16K	A3, B4, FOLIO, LD, LG, COMP, 13"LG, 8K, A4, A4-R, B5, B5-R, LT, LT-R, 8.5"SQ, 16K, 16K-R
Acceptable paper weight	64 - 128 g/m ² , 17 lb. Bond - 34 lb. Bond				
Power source	DC 5 V, DC 24 V (supplied from the equipment)				
Weight	Approx. 3.3 kg (7.3 lb.)				

■ Hole Punch Unit MJ-6105 Series

(for e-STUDIO5005AC Series / e-STUDIO5008A Series / e-STUDIO5008LP Series)

Model name		MJ-6105 Series				
		MJ-6105E	MJ-6105N		MJ-6105F	MJ-6105S
Acceptable paper size		A3, A4, A4-R, B4, B5, B5-R, FOLIO, LD, LG, LT, LT-R, COMP, 8.5"SQ, 8K, 16K, 16K-R, 13"LG	A4-R, B4, B5, B5-R, FOLIO, LG, LT-R, COMP, 8.5"SQ, 16K-R, 13"LG	A3, A4, LD, LT, 8K, 16K	A3, A4, LD, LT, 8K, 16K	A3, A4, A4-R, B4, B5, B5-R, FOLIO, LD, LG, LT, LT-R, COMP, 8.5"SQ, 8K, 16K, 16K-R, 13"LG
Model name		e-STUDIO2000AC e-STUDIO2500AC	e-STUDIO2505AC e-STUDIO3005AC e-STUDIO3505AC e-STUDIO4505AC e-STUDIO5005AC		e-STUDIO2008A e-STUDIO2508A e-STUDIO3008A e-STUDIO3508A e-STUDIO4508A e-STUDIO5008A e-STUDIO3508LP e-STUDIO4508LP e-STUDIO5008LP	
Acceptable paper weight		60 - 209 g/m ² , 16 lb. Bond - 110 lb. Index	60 - 256 g/m ² , 16 lb. Bond - 140 lb. Index		60 - 256 g/m ² , 16 lb. Bond - 140 lb. Index	
Punching	Model name	MJ-6105E	MJ-6105N		MJ-6105F	MJ-6105S
	Number of holes	2 holes	2 holes	3 holes	4 holes	4 holes
	Hole diameter	6.5 mm (0.26")	8.0 mm (0.32")	8.0 mm (0.32")	6.0 mm (0.24")	6.0 mm (0.24")
	Distance between holes	80 mm (± 1 mm) (3.15"(± 0.04"))	70 mm (± 1 mm) (2.76" (± 0.04"))	108 mm (± 1 mm) (4.25" (± 0.04"))	80 mm (± 1 mm) (3.15" (± 0.04"))	Center: 70 mm (± 1 mm) (2.76" (± 0.04")) Outside: 21 mm (± 1 mm) (0.83" (± 0.04"))
Power source		DC 5 V, DC 24 V (supplied from the equipment)				
Dimensions		112 mm (4.4") (W) x 573 mm (22.6") (D) x 323 mm (12.7") (H) (excl. Lower cover)				
Weight		Approx. 7 kg (15.4 lb.)				

**■ Hole Punch Unit MJ-6106 Series
(for e-STUDIO7506AC Series and e-STUDIO8508A Series)**

Model name	MJ-6106 Series				
	MJ-6106E	MJ-6106N		MJ-6106F	MJ-6106S
Number of holes	2 holes	2 holes	3 holes	4 holes	4 holes
Hole diameter	6.5 mm (0.26")	8.0 mm (0.32")	8.0 mm (0.32")	6.5 mm (0.26")	6.5 mm (0.26")
Distance between holes	80 mm (± 1 mm) (3.15" (± 0.04"))	70 mm (± 1 mm) (2.76" (± 0.04"))	108 mm (± 1 mm) (4.25" (± 0.04"))	80 mm (± 1 mm) (3.15" (± 0.04"))	Center: 70 mm (± 1 mm) (2.76" (± 0.04")) Outside: 21 mm (± 1 mm) (0.83" (± 0.04"))
Acceptable paper size	A3, A4, A4-R, B4, B5, B5-R, FOLIO, LD, LG, LT, LT-R, COMP, 8.5"SQ, 8K, 16K, 16K-R, 13"LG	A4-R, B4, B5, B5-R, FOLIO, LG, LT-R, COMP, 8.5"SQ, 16K-R, 13"LG	A3, A4, LD, LT, 8K, 16K	A3, A4, LD, LT, 8K, 16K	A3, A4, A4-R, B4, B5, B5-R, FOLIO, LD, LG, LT, LT-R, COMP, 8.5"SQ, 8K, 16K, 16K-R, 13"LG
Acceptable paper weight	64 - 209 g/m ² 17 lb. Bond - 110 lb. Index				
Power source	DC 5 V, DC 24 V (supplied from the equipment)				
Dimensions	112 mm (4.4") (W) x 573 mm (22.6") (D) x 323 mm (12.7") (H) (excl. Lower cover)				
Weight	Approx. 7 kg (15.4 lb.)				

System Options

■ FAX Unit

Model Name	GD-1370
Size of Original	A3, A4, A4-R, A5, A5-R, B4, B5, B5-R, FOLIO, LD, LG, LT, LT-R, ST, ST-R, COMP
Recording Paper Size	A3, A4, A4-R, A5-R, B4, B5, B5-R, FOLIO, LD, LG, LT, LT-R, ST-R, COMP
Compatibility Communication Modes	ECM, Super G3
Communication Resolution	Horizontal: 8 dots/mm, 16 dots/mm, 300 dots/inch Vertical: 3.85 lines/mm, 7.7 lines/mm, 15.4 lines/mm, 300 dots/inch
Transmission Rate	33,600/31,200/28,800/26,400/24,000/21,600/19,200/16,800/14,400/12,000/9,600/7,200/ 4,800/2,400 bps
Encoding Systems	JBIG/MMR/MR/MH
Memory Capacity	Transmission/Reception: 1 GB (HDD) *1
Unit Type	Desktop type, transmitting/receiving dual type
Applicable Network	Public Switched Telephone Network (PSTN)

*1 For the internal storage device, MB means 1 million bytes. (Total accessible capacity of the internal storage device may vary depending on operating environment.)

Toshiba-recommended paper is used for the values above. Specifications and appearance are subject to change without notice in the interest of product improvement.

■ Wireless LAN and Bluetooth units

□ Wireless LAN

Transmission Format	IEEE 802.11b/g/n standard Direct Sequence Spread Spectrum (DSSS) Orthogonal Frequency Division Multiplexing (OFDM)
Data Rate	150 Mbps at a maximum (11n, 40 MHz)
Access Method	CSMA/CA
Frequency Band	2.4 GHz (2412 to 2462 MHz)
Transmitter Power	Max. 20 dBm
Security	Static WEP Key Length: 64 bit, 128 bit WPA2-PSK (AES (CCMP), TKIP+AES (CCMP)) WPA/WPA2-PSK (AES (CCMP), TKIP+AES (CCMP)) WPA2-PEAP/EAP-TLS (AES (CCMP), TKIP+AES (CCMP)) WPA/WPA2-PEAP/EAP-TLS (AES (CCMP), TKIP+AES (CCMP)) 802.1X: PEAP/EAP-TLS (DYNAMIC WEP) WPS: WPS-PBC, WPS-PIN PEAP/EAP-TLS supported RADIUS server Windows Server 2008 or later Linux hostapd v2.0
Operation Mode	Infrastructure Mode, Wi-Fi Direct (Group Owner: ON/OFF, When “ON” is selected, 8 units can be connected at a maximum.)
Wireless ON/OFF	Available
Wired LAN/Wireless LAN Simultaneous Operation	Wired/Wireless LAN (Infrastructure mode): Not available Wired/Wireless LAN (Wi-Fi Direct): Available Wireless LAN (Infrastructure mode and Wi-Fi Direct): Available

□ Bluetooth

Standard	Bluetooth V3.0 standard compliant
Frequency Band	2.4 GHz (2402 to 2480 MHz)
Data Rate	Max. 2.1 Mbps (Asymmetric) Max. 1.3 Mbps (Symmetric)
Radio Modulation	FHSS (Frequency Hopping Spread Spectrum)
Transmitter Power	Max. 10 dBm
Support Profile	For Print: HCRP, BIP, OPP, FTP For Keyboard: HID
Bluetooth ON/OFF	Available

Tip

- Wireless LAN and Bluetooth can be operated at the same time.
- If you want to use Bluetooth BIP print, contact your service technician or representative.

INDEX

- A**
A/B format 8, 11, 15, 18, 22, 25
Additional Drawer Module..... 8, 11, 71
- B**
Bridge Unit 73
Bypass tray 9, 12, 16, 19
- C**
Center fold..... 67
Continuous copy speed 32, 35, 41, 47, 51, 56
- D**
Drawer
 acceptable copy paper 8, 15, 18, 22, 25
Drawers
 acceptable copy paper 11
Dual Scan Document Feeder 70
- E**
Envelope..... 9, 12, 16, 19, 23, 26
Envelope Drawer 9, 72
- F**
FAX Unit 90
Finisher 67, 74, 76
 Inner Finisher 67, 85
 Saddle Stitch Finisher 67, 79, 82
Finishing mode
 center fold 67
 group 67
 hole punch 67
 magazine sort 67
 magazine sort & center fold 67
 magazine sort & saddle stitch 67
 manual staple 67
 non-sort non-staple..... 67
 rotate sort 67
 saddle stitch..... 67
 sort 67
 staple sort 67
- G**
Group 67
- H**
Hole punch 67
Hole Punch Unit 67, 87, 88, 89
- I**
Inner Tray 67
- J**
Job Separator..... 73
- K**
K format..... 8, 11, 15, 18, 22, 25
- L**
Large Capacity Feeder 8, 11, 15, 18, 72
LT format..... 8, 11, 15, 18, 22, 25
- M**
Magazine sort 67
Magazine sort & center fold 67
Magazine sort & saddle stitch 67
Manual staple 67
Maximum number of sheets available
 for center folding 80, 83
Maximum number of sheets available
 for saddle stitching 80, 82
Maximum number of sheets available
 for stapling 74, 76, 79, 82, 85
- N**
Non-sort Non-staple..... 67
Non-standard size 8, 11, 15, 18, 22, 25
- P**
Paper
 acceptable copy paper 8
Paper Feed Pedestal 8, 11, 71
Paper Feed Unit..... 8, 71
PCL fonts 58
Plain paper..... 8, 11, 15, 18, 22, 25
PS fonts 59
- R**
Recommended paper..... 8
Recycled paper 8, 11, 22, 25
Reversing Automatic Document Feeder 70
Rotate sort 67
- S**
Saddle stitch 67
Saddle Stitch Finisher 79, 82
Sort..... 67
Special paper 12, 23, 26
Staple sort..... 67
- T**
Tab paper..... 9, 12, 16, 19
Template..... 62
Thick paper 9, 12, 16, 19, 23, 26
Thin paper..... 12, 16
Transparency..... 9, 12, 16, 23, 26
- W**
Wireless LAN and Bluetooth units 91

FC-2000AC/2500AC
FC-2505AC/3005AC/3505AC/4505AC/5005AC
DP-2008A/2508A/3008A/3508A/4508A/5008A
FC-5506AC/6506AC/7506AC
DP-5508A/6508A/7508A/8508A
DP-3535/4535/5035
OME150043E0

**MULTIFUNCTIONAL DIGITAL COLOR SYSTEMS /
MULTIFUNCTIONAL DIGITAL SYSTEMS**

Specifications Guide

e-STUDIO2000AC/2500AC

e-STUDIO2505AC/3005AC/3505AC/4505AC/5005AC

e-STUDIO2008A/2508A/3008A/3508A/4508A/5008A

e-STUDIO5506AC/6506AC/7506AC

e-STUDIO5508A/6508A/7508A/8508A

e-STUDIO3508LP/4508LP/5008LP

TOSHIBA TEC CORPORATION

1-11-1, OSAKI, SHINAGAWA-KU, TOKYO, 141-8562, JAPAN

